

# PZD

*Hydraulic*



**HYDRAULIC CYLINDERS**  
**CATALOGUE** 2025

The  
**Power**   
in your hands

**DZD**  
*Hydraulic*



PZD Hydraulic  
It is a trademark of  
**KYZ AUTOMOTIVE COMPANY**

### **Mission Statement**

To provide innovative and efficient solutions in hydraulic cylinder manufacturing, ensuring the highest levels of performance and quality.

### **Vision Statement**

To become a global leader in hydraulic cylinder manufacturing by delivering high-quality products and exceptional services.

### **Core Values**

**Quality:** We are committed to delivering products with high precision and performance.

**Innovation:** We continually strive to enhance our technology and improve our products to keep pace with advancements.

**Sustainability:** We work to minimize our environmental impact and promote sustainable industrial practices.

### **Products and Services:**

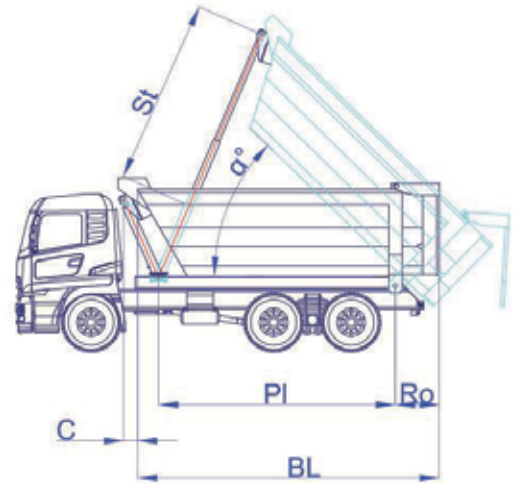
- Manufacturing and developing hydraulic cylinders to international standards.
- Providing customized services tailored to clients' technical needs.
- 24/7 maintenance and technical support services.

Feel free to adjust the details according to the actual company information. Let me know if you need further edits or additions!



Inc 30 mm Pull Out  
 Tolerance +20: 0  
 Working Pressure 170 Bar  
 Max. Working Pressure 190 Bar  
 Working Temperature -23 °C +80 °C  
 Hard Cromed All Stages  
 All Cylinder Materials Are st 52  
 Cold Down Tubes

- St** Stroke
- BL** Body Length
- Ro** Rear Overhang
- Pi** Pivot Length
- C** Bracket Length



$$P_i = BL + C - R_o$$

$$\alpha^a = \frac{St \times 60}{P_i}$$

$$F (N) = 10 \cdot A(\text{cm}^2) \cdot P(\text{bar})$$

$$T (\text{sn}) = \frac{V (\text{cm}^3)}{Q(\text{cm}^3/\text{min})}$$

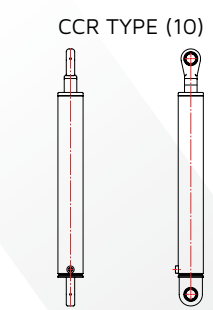
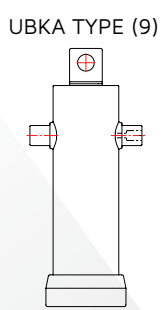
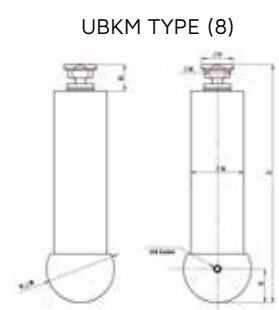
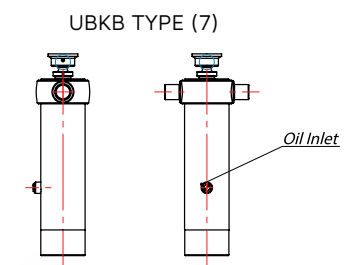
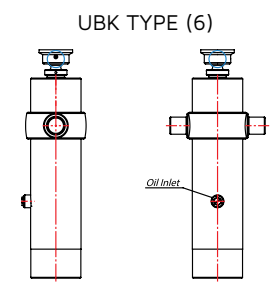
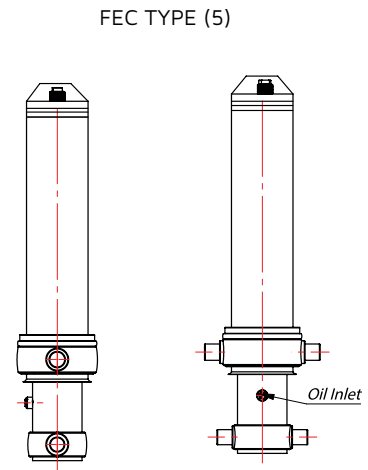
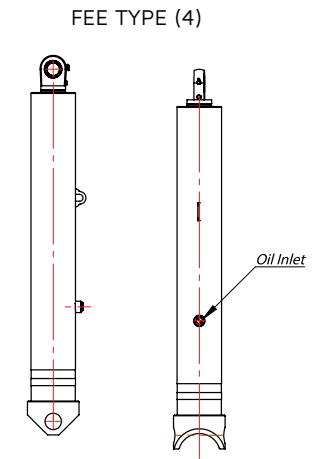
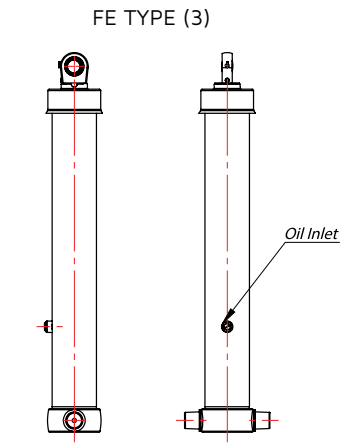
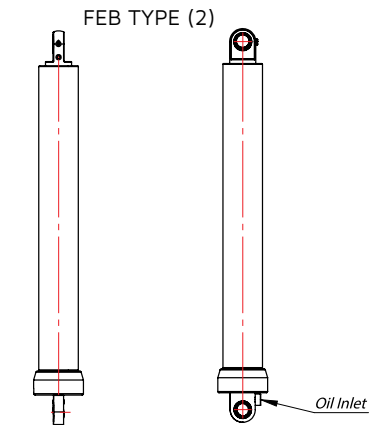
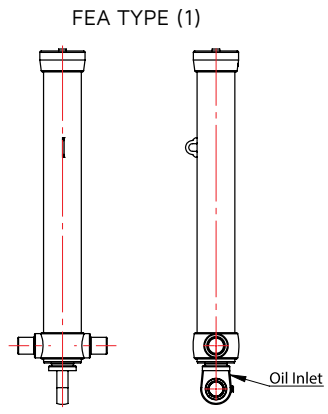
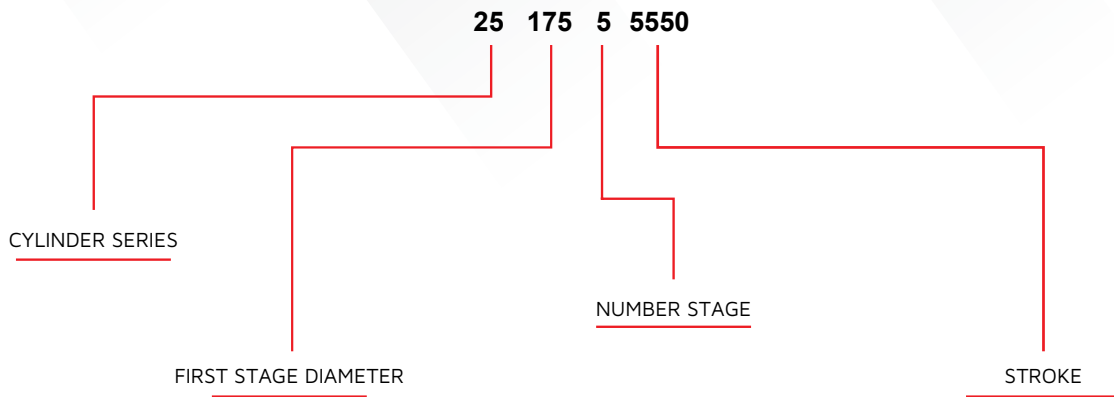
$$V(\text{cm}^3/\text{min}) = \frac{Q (\text{cm}^3/\text{min}) \cdot nr}{A (\text{cm}^2)}$$

$$T (\text{sn}) = \frac{L (m)}{V(\text{m}^3/\text{sn})}$$

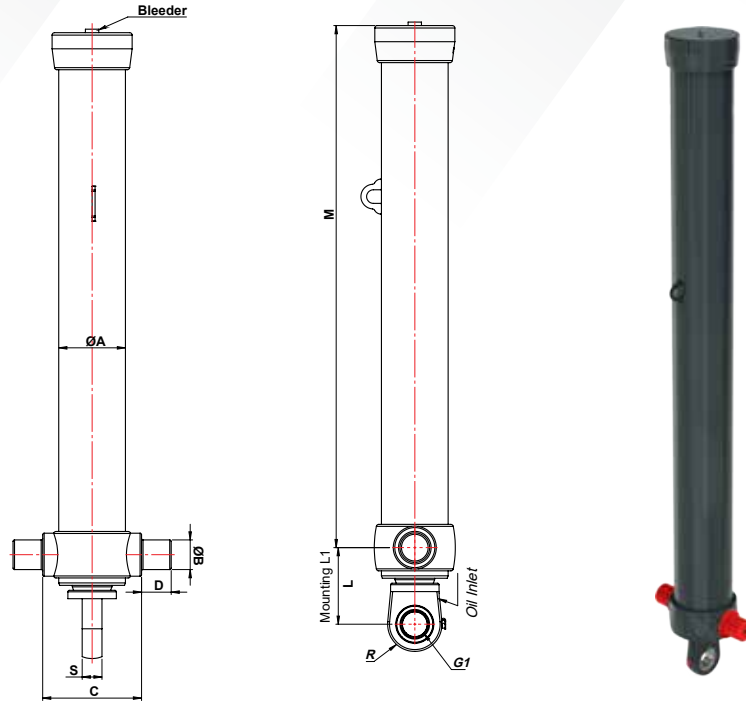
$$Q(\text{cm}^3/\text{min}) = \frac{V (\text{cm}^3/\text{min}) \cdot A (\text{cm}^2)}{nr}$$



How to read Our Products Code ?



## FEA TYPE CYLINDER



PRODUCT CODE	TYPE	ØA	L	LI	ØGI	ØB	C	M	S	D	R	LITER (dm3)	OIL INLET	WEIGHT (kg)
2511632470	FEA 116-3-2470 CYL.	135	150	180	50	60	170	963	42	60	55	24	R 3/4"	85
2511632760	FEA 116-3-2760 CYL.	135	150	180	50	60	170	1063	42	60	55	27	R 3/4"	91
2511633075	FEA 116-3-3075 CYL.	135	150	180	50	60	170	1193	42	60	55	30	R 3/4"	100
2511633195	FEA 116-3-3195 CYL.	135	150	180	50	60	170	1233	42	60	55	32	R 3/4"	106

PRODUCT CODE	TYPE	ØA	L	LI	ØGI	ØB	C	M	S	D	R	LITER (dm3)	OIL INLET	WEIGHT (kg)
2513532760	FEA 135-3-2760 CYL.	155	150	180	50	60	193	1065	42	60	55	38	R 3/4"	112
2513533075	FEA 135-3-3075 CYL.	155	150	180	50	60	193	1195	42	60	55	43	R 3/4"	123
2513533195	FEA 135-3-3195 CYL.	155	150	180	50	60	193	1235	42	60	55	44	R 3/4"	126
2513533330	FEA 135-3-3330 CYL.	155	150	180	50	60	193	1285	42	60	55	46	R 3/4"	130
2513533450	FEA 135-3-3450 CYL.	155	150	180	50	60	193	1335	42	60	55	48	R 3/4"	134
2513533585	FEA 135-3-3585 CYL.	155	150	180	50	60	193	1385	42	60	55	50	R 3/4"	138
2513533720	FEA 135-3-3720 CYL.	155	150	180	50	60	193	1435	42	60	55	52	R 3/4"	143
2513533855	FEA 135-3-3855 CYL.	155	150	180	50	60	193	1485	42	60	55	54	R 3/4"	147
2513533990	FEA 135-3-3990 CYL.	155	150	180	50	60	193	1535	42	60	55	56	R 3/4"	151
2513534125	FEA 135-3-4125 CYL.	155	150	180	50	60	193	1585	42	60	55	58	R 3/4"	155
2513534260	FEA 135-3-4260 CYL.	155	150	180	50	60	193	1635	42	60	55	59	R 3/4"	159

PRODUCT CODE	TYPE	ØA	L	LI	ØGI	ØB	C	M	S	D	R	LITER (dm3)	OIL INLET	WEIGHT (kg)
2513543280	FEA 135-4-3280 CYL.	155	150	180	50	60	193	950	42	60	55	37	R 3/4"	114
2513543680	FEA 135-4-3680 CYL.	155	150	180	50	60	193	1065	42	60	55	42	R 3/4"	123
2513544100	FEA 135-4-4100 CYL.	155	150	180	50	60	193	1195	42	60	55	47	R 3/4"	135
2513544260	FEA 135-4-4260 CYL.	155	150	180	50	60	193	1235	42	60	55	48	R 3/4"	139
2513544440	FEA 135-4-4440 CYL.	155	150	180	50	60	193	1285	42	60	55	50	R 3/4"	124
2513544600	FEA 135-4-4600 CYL.	155	150	180	50	60	193	1335	42	60	55	52	R 3/4"	128
2513544780	FEA 135-4-4780 CYL.	155	150	180	50	60	193	1385	42	60	55	54	R 3/4"	133





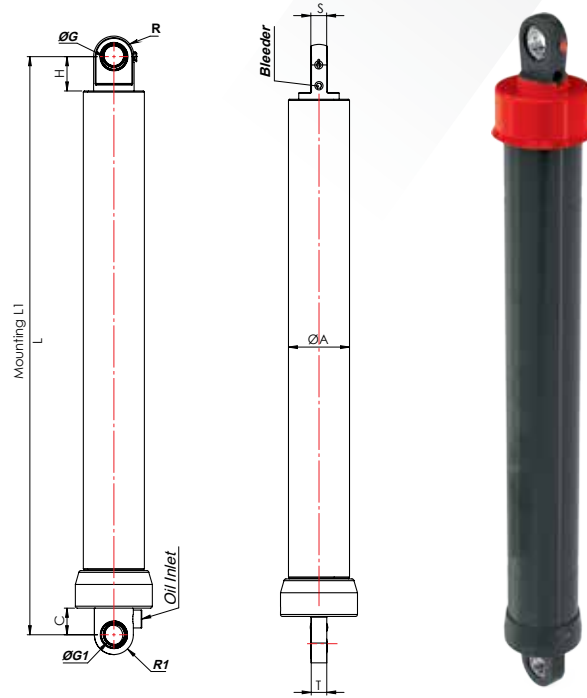
FEA TYPE CYLINDER

PRODUCT CODE	TYPE	ØA	L	LI	ØGI	ØB	C	M	S	D	R	LITER (dm3)	OIL INLET	WEIGHT (kg)
2515533330	FEA 155-3-3330 CYL.	175	153	183	50	60	215	1283	42	60	60	61	R 3/4"	164
2515533450	FEA 155-3-3450 CYL.	175	153	183	50	60	215	1333	42	60	60	63	R 3/4"	169
2515533585	FEA 155-3-3585 CYL.	175	153	183	50	60	215	1383	42	60	60	66	R 3/4"	174
2515533720	FEA 155-3-3720 CYL.	175	153	183	50	60	215	1433	42	60	60	68	R 3/4"	179
2515533855	FEA 155-3-3855 CYL.	175	153	183	50	60	215	1483	42	60	60	71	R 3/4"	184
2515533990	FEA 155-3-3990 CYL.	175	153	183	50	60	215	1533	42	60	60	73	R 3/4"	189
2515534125	FEA 155-3-4125 CYL.	175	153	183	50	60	215	1583	42	60	60	76	R 3/4"	194
2515534260	FEA 155-3-4260 CYL.	175	153	183	50	60	215	1633	42	60	60	78	R 3/4"	199

PRODUCT CODE	TYPE	ØA	L	LI	ØGI	ØB	C	M	S	D	R	LITER (dm3)	OIL INLET	WEIGHT (kg)
2515543680	FEA 155-4-3680 CYL.	175	153	183	50	60	215	1063	42	60	55	56	R 3/4"	155
2515544100	FEA 155-4-4100 CYL.	175	153	183	50	60	215	1193	42	60	55	62	R 3/4"	170
2515544260	FEA 155-4-4260 CYL.	175	153	183	50	60	215	1233	42	60	55	65	R 3/4"	174
2515544440	FEA 155-4-4440 CYL.	175	153	183	50	60	215	1283	42	60	55	67	R 3/4"	180
2515544600	FEA 155-4-4600 CYL.	175	153	183	50	60	215	1333	42	60	55	70	R 3/4"	786
2515544780	FEA 155-4-4780 CYL.	175	153	183	50	60	215	1383	42	60	55	73	R 3/4"	192
2515544960	FEA 155-4-4960 CYL.	175	153	183	50	60	215	1433	42	60	55	75	R 3/4"	199
2515545140	FEA 155-4-5140 CYL.	175	153	183	50	60	215	1483	42	60	55	78	R 3/4"	203
2515545320	FEA 155-4-5320 CYL.	175	153	183	50	60	215	1533	42	60	55	81	R 3/4"	209
2515545500	FEA 155-4-5500 CYL.	175	153	183	50	60	215	15853	42	60	55	84	R 3/4"	215
2515545680	FEA 155-4-5680 CYL.	175	153	183	50	60	215	1633	42	60	55	86	R 3/4"	220
2515545860	FEA 155-4-5860 CYL.	175	153	183	50	60	215	1683	42	60	55	89	R 3/4"	226
2515546040	FEA 155-4-6040 CYL.	175	153	183	50	60	215	1733	42	60	55	92	R 3/4"	232

PRODUCT CODE	TYPE	ØA	L	LI	ØGI	ØB	C	M	S	D	R	LITER (dm3)	OIL INLET	WEIGHT (kg)
2517544100	FEA 175-4-4100 CYL.	197	155	183	50	60	240	1190	42	60	60	82	R 1"	208
2517544260	FEA 175-4-4260 CYL.	197	155	183	50	60	240	1230	42	60	60	86	R 1"	214
2517544440	FEA 175-4-4440 CYL.	197	155	183	50	60	240	1280	42	60	60	89	R 1"	221
2517544600	FEA 175-4-4600 CYL.	197	155	183	50	60	240	1330	42	60	60	92	R 1"	228
2517544780	FEA 175-4-4780 CYL.	197	155	183	50	60	240	1380	42	60	60	96	R 1"	235
2517544960	FEA 175-4-4960 CYL.	197	155	183	50	60	240	1430	42	60	60	100	R 1"	242
2517545140	FEA 175-4-5140 CYL.	197	155	183	50	60	240	1480	42	60	60	103	R 1"	249
2517545320	FEA 175-4-5320 CYL.	197	155	183	50	60	240	1530	42	60	60	107	R 1"	256
2517545500	FEA 175-4-5500 CYL.	197	155	183	50	60	240	1580	42	60	60	111	R 1"	263
2517545680	FEA 175-4-5680 CYL.	197	155	183	50	60	240	1670	42	60	60	114	R 1"	270
2517545860	FEA 175-4-5860 CYL.	197	155	183	50	60	240	1680	42	60	60	118	R 1"	277
2517546040	FEA 175-4-6040 CYL.	197	155	183	50	60	240	1730	42	60	60	122	R 1"	284

## FEB TYPE CYLINDER



PRODUCT CODE	TYPE	ØA	L	L1	ØG	ØG1	H	C	S	T	R	R1	LITER (dm3)	OIL INLET	WEIGHT (kg)
2511632470	FEB-116-3-2470 CYL.	135	1180	1210	50	50	94	68	42	40	55	55	24	R 3/4"	83
2511632760	FEB-116-3-2760 CYL.	135	1280	1310	50	50	94	68	42	40	55	55	27	R 3/4"	90
2517633075	FEB-116-3-3075 CYL.	135	1410	1440	50	50	94	68	42	40	55	55	30	R 3/4"	99
2511633195	FEB-116-3-3195 CYL.	135	1450	1480	50	50	94	68	42	40	55	55	32	R 3/4"	105

PRODUCT CODE	TYPE	ØA	L	L1	ØG	ØG1	H	C	S	T	R	R1	LITER (dm3)	OIL INLET	WEIGHT (kg)
2513532760	FEB-135-3-2760 CYL.	155	1282	1312	50	50	94	68	42	40	55	55	38	R 3/4"	110
2513533075	FEB-135-3-3075 CYL.	155	1412	1440	50	50	94	68	42	40	55	55	43	R 3/4"	121
2513533795	FEB-135-3-3795 CYL.	155	1452	1482	50	50	94	68	42	40	55	55	44	R 3/4"	124
2513533330	FEB-135-3-3330 CYL.	155	1502	1532	50	50	94	68	42	40	55	55	46	R 3/4"	128
2513533450	FEB-135-3-3450 CYL.	155	1552	1582	50	50	94	68	42	40	55	55	48	R 3/4"	132
2513533585	FEB-135-3-3585 CYL.	155	1602	1632	50	50	94	68	42	40	55	55	50	R 3/4"	136
2513533720	FEB-135-3-3720 CYL.	155	1652	1682	50	50	94	68	42	40	55	55	52	R 3/4"	141
2513533855	FEB-135-3-3855 CYL.	155	1702	1732	50	50	94	68	42	40	55	55	54	R 3/4"	145
2513533990	FEB-135-3-3990 CYL.	155	1752	1782	50	50	94	68	42	40	55	55	56	R 3/4"	149
2573534125	FEB-135-3-4125 CYL.	155	1802	1832	50	50	94	68	42	40	55	55	58	R 3/4"	153
2513534260	FEB-135-3-4260 CYL.	155	1852	1882	50	50	94	68	42	40	55	55	59	R 3/4"	157

PRODUCT CODE	TYPE	ØA	L	L1	ØG	ØG1	H	C	S	T	R	R1	LITER (dm3)	OIL INLET	WEIGHT (kg)
2513543280	FEB-135-4-3280 CYL.	155	1182	1212	50	50	94	68	42	40	55	55	37	R 3/4"	112
2513543680	FEB-135-4-3680 CYL.	155	1282	1312	50	50	94	68	42	40	55	55	42	R 3/4"	121
2513544100	FEB-135-4-4100 CYL.	155	1412	1442	50	50	94	68	42	40	55	55	47	R 3/4"	113
2513544260	FEB-135-4-4260 CYL.	155	1552	1482	50	50	94	68	42	40	55	55	48	R 3/4"	137
2513544440	FEB-135-4-4440 CYL.	155	1502	1532	50	50	94	68	42	40	55	55	50	R 3/4"	142
2513544600	FEB-135-4-4600 CYL.	155	1552	1582	50	50	94	68	42	40	55	55	52	R 3/4"	147
2513544780	FEB-135-4-4780 CYL.	155	1602	1632	50	50	94	68	42	40	55	55	54	R 3/4"	152





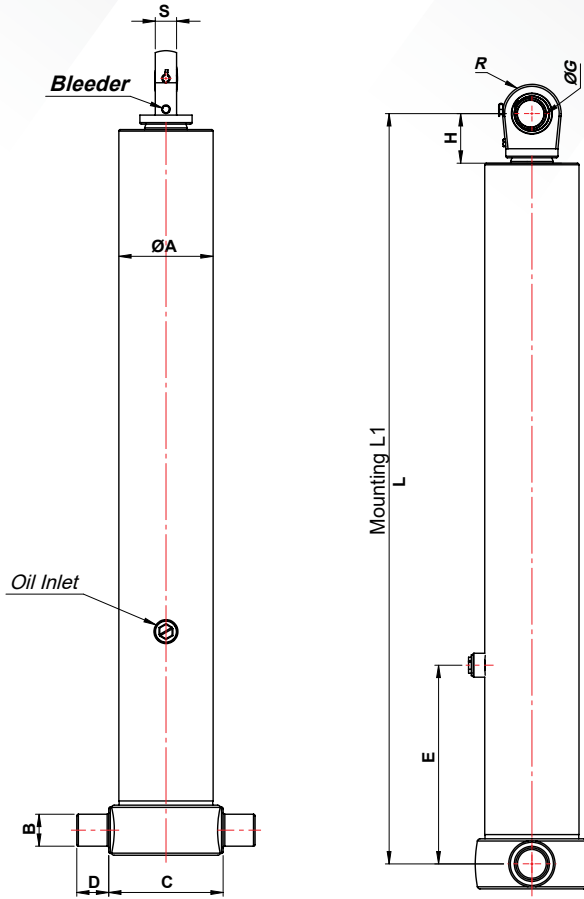
FEB TYPE CYLINDER

PRODUCT CODE	TYPE	ØA	L	L1	ØG	ØG1	H	C	S	T	R	R1	LITER (dm3)	OIL INLET	WEIGHT (kg)
2515533330	FEB-155-3-2470 CYL.	175	1502	1532	50	50	94	68	42	40	60	55	61	R 3/4"	157
2515533450	FEB-155-3-3450 CYL.	175	1552	1582	50	50	94	68	42	40	60	55	63	R 3/4"	162
1515533585	FEB-155-3-3585 CYL.	175	1602	1632	50	50	94	68	42	40	60	55	66	R 3/4"	167
2515533720	FEB-155-3-3720 CYL.	175	1652	1682	50	50	94	68	42	40	60	55	68	R 3/4"	172
2515533855	FEB-155-3-3855 CYL.	175	1702	1732	50	50	94	68	42	40	60	55	71	R 3/4"	177
2515533990	FEB-155-3-3990 CYL.	175	1752	1782	50	50	94	68	42	40	60	55	73	R 3/4"	182
2515534125	FEB-155-3-4125 CYL.	175	1802	1832	50	50	94	68	42	40	60	55	76	R 3/4"	187
2515534280	FEB-155-3-4280 CYL.	175	1852	1882	50	50	94	68	42	40	60	55	78	R 3/4"	192

PRODUCT CODE	TYPE	ØA	L	L1	ØG	ØG1	H	C	S	T	R	R1	LITER (dm3)	OIL INLET	WEIGHT (kg)
2515543680	FEB-155-4-3680 CYL.	175	1282	1312	50	50	94	68	42	40	55	55	56	R 3/4"	194
2515544100	FEB-155-4-4100 CYL.	175	1412	1442	50	50	94	68	42	40	55	55	62	R 3/4"	164
2515544260	FEB-155-4-4260 CYL.	175	1452	1482	50	50	94	68	42	40	55	55	65	R 3/4"	169
2515544440	FEB-155-4-4440 CYL.	175	1502	1532	50	50	94	68	42	40	55	55	67	R 3/4"	175
2515544600	FEB-155-4-4600 CYL.	175	1552	1582	50	50	94	68	42	40	55	55	70	R 3/4"	180
2515544780	FEB-155-4-4780 CYL.	175	1602	1632	50	50	94	68	42	40	55	55	73	R 3/4"	186
2515544960	FEB-155-4-4960 CYL.	175	1652	1682	50	50	94	68	42	40	55	55	75	R 3/4"	192
2515545140	FEB-155-4-5140 CYL.	175	1702	1732	50	50	94	68	42	40	55	55	78	R 3/4"	198
2515545320	FEB-155-4-5320 CYL.	175	1752	1782	50	50	94	68	42	40	55	55	81	R 3/4"	203
2515545500	FEB-155-4-5500 CYL.	175	1802	1832	50	50	94	68	42	40	55	55	84	R 3/4"	209
2515545680	FEB-155-4-5680 CYL.	175	1852	1882	50	50	94	68	42	40	55	55	86	R 3/4"	215
2515545860	FEB-155-4-5860 CYL.	175	1902	1932	50	50	94	68	42	40	55	55	89	R 3/4"	221
2515546040	FEB-155-4-6040 CYL.	175	1952	1982	50	50	94	68	42	40	55	55	92	R 3/4"	226

PRODUCT CODE	TYPE	ØA	L	L1	ØG	ØG1	H	C	S	T	R	R1	LITER (dm3)	OIL INLET	WEIGHT (kg)
2517544100	FEB-175-4-4100 CYL.	197	1412	1442	50	50	94	68	42	40	60	55	82	R 1"	199
2517544260	FEB-175-4-4260 CYL.	197	1452	1482	50	50	94	68	42	40	60	55	86	R 1"	205
2517544440	FEB-175-4-4440 CYL.	197	1502	1532	50	50	94	68	42	40	60	55	89	R 1"	212
2517544600	FEB-175-4-4600 CYL.	197	1552	1582	50	50	94	68	42	40	60	55	92	R 1"	219
2517544780	FEB-175-4-4780 CYL.	197	1602	1632	50	50	94	68	42	40	60	55	96	R 1"	226
2517544960	FEB-175-4-4960 CYL.	197	1652	1682	50	50	94	68	42	40	60	55	100	R 1"	233
2517545140	FEB-175-4-5140 CYL.	197	1702	1732	50	50	94	68	42	40	60	55	103	R 1"	240
2517545320	FEB-175-4-5320 CYL.	197	1752	1782	50	50	94	68	42	40	60	55	107	R 1"	247
2517545500	FEB-175-4-5500 CYL.	197	1802	1832	50	50	94	68	42	40	60	55	111	R 1"	254
2517545680	FEB-175-4-5680 CYL.	197	1852	1882	50	50	94	68	42	40	60	55	114	R 1"	261
2517545860	FEB-175-4-5860 CYL.	197	1902	1932	50	50	94	68	42	40	60	55	118	R 1"	268
2517546040	FEB-175-4-6040 CYL.	197	1952	1982	50	50	94	68	42	40	60	55	122	R 1"	275

## FE TYPE CYLINDER



PRODUCT CODE	TYPE	ØA	L	L1	ØG	ØB	C	D	S	H	I	R	E	LITER (dm3)	OIL INLET	WEIGHT (kg)
2511632470	FE 116-3-2470 CYL.	135	1082	1112	50	60	170	60	42	94	55	55	350	23	R 3/4"	85
2511632760	FE 116-3-2760 CYL.	135	1182	1212	50	60	170	60	42	94	55	55	350	26	R 3/4"	92
2511632775	FE 116-3-2775 CYL.	135	1312	1342	50	60	170	60	42	94	55	55	350	29	R 3/4"	104
2511633195	FE 116-3-3195 CYL.	135	1352	1382	50	60	170	60	42	94	55	55	350	30	R 3/4"	107

PRODUCT CODE	TYPE	ØA	L	L1	ØG	ØB	C	D	S	H	I	R	E	LITER (dm3)	OIL INLET	WEIGHT (kg)
2513532760	FE 135-3-2760 CYL.	155	1182	1212	50	60	193	60	42	94	55	55	350	37	R 3/4"	112
2513533075	FE 135-3-3075 CYL.	155	1312	1342	50	60	193	60	42	94	55	55	350	41	R 3/4"	123
2513533195	FE 135-3-3195 CYL.	155	1352	1385	50	60	193	60	42	94	55	55	350	43	R 3/4"	127
2513533330	FE 135-3-3330 CYL.	155	1402	1432	50	60	193	60	42	94	55	55	350	45	R 3/4"	131
2513533450	FE 135-3-3450 CYL.	155	1452	1482	50	60	193	60	42	94	55	55	350	47	R 3/4"	135
2513533585	FE 135-3-3585 CYL.	155	1502	1532	50	60	193	60	42	94	55	55	350	49	R 3/4"	139
2513533720	FE 135-3-3720 CYL.	155	1552	1582	50	60	193	60	42	94	55	55	350	50	R 3/4"	143
2513533855	FE 135-3-3855 CYL.	155	1602	1632	50	60	193	60	42	94	55	55	350	52	R 3/4"	147
2513533990	FE 135-3-3990 CYL.	155	1652	1682	50	60	193	60	42	94	55	55	350	54	R 3/4"	151
2513534125	FE 135-3-4125 CYL.	155	1702	1732	50	60	193	60	42	94	55	55	350	56	R 3/4"	155
2513534260	FE 135-3-4260 CYL.	155	1752	1782	50	60	193	60	42	94	55	55	350	58	R 3/4"	159



## FE TYPE CYLINDER

PRODUCT CODE	TYPE	ØA	L	L1	ØG	ØB	C	D	S	H	I	R	E	LITER (dm3)	OIL INLET	WEIGHT (kg)
2513543280	FE 135-4-3280 CYL.	155	1082	1112	50	60	193	60	42	94	55	55	350	36	R 3/4"	114
2513543680	FE 135-4-3680 CYL.	155	1182	1212	50	60	193	60	42	94	55	55	350	40	R 3/4"	124
2513544100	FE 135-4-4100 CYL.	155	1312	1342	50	60	193	60	42	94	55	55	350	45	R 3/4"	136
2513544260	FE 135-4-4260 CYL.	155	1352	1382	50	60	193	60	42	94	55	55	350	47	R 3/4"	140
2513544440	FE 135-4-4440 CYL.	155	1402	1432	50	60	193	60	42	94	55	55	350	49	R 3/4"	143

PRODUCT CODE	TYPE	ØA	L	L1	ØG	ØB	C	D	S	H	I	R	E	LITER (dm3)	OIL INLET	WEIGHT (kg)
2515533330	FE 155-3-3330 CYL.	175	1400	1430	50	60	215	60	42	94	58	60	350	61	R 1"	161
2515533450	FE 155-3-3450 CYL.	175	1450	480	50	60	215	60	42	94	58	60	350	63	R 1"	166
2515533585	FE 155-3-3585 CYL.	175	1500	1530	50	50	215	60	42	94	58	60	350	66	R 1"	171
2515533720	FE 155-3-3720 CYL.	175	1550	1580	50	50	215	60	42	94	58	60	350	68	R 1"	176
2515533855	FE 155-3-3855 CYL.	175	1600	1630	50	50	215	60	42	94	58	60	350	71	R 1"	181
2515533990	FE 155-3-3990 CYL.	175	1650	1680	50	50	215	60	42	94	58	60	350	73	R 1"	186
2515534125	FE 155-3-4125 CYL.	175	1700	1730	50	50	215	60	42	94	58	60	350	76	R 1"	191
2515534260	FE 155-3-4260 CYL.	175	1750	1780	50	50	215	60	42	94	58	60	350	78	R 1"	196

PRODUCT CODE	TYPE	ØA	L	L1	ØG	ØB	C	D	S	H	I	R	E	LITER (dm3)	OIL INLET	WEIGHT (kg)
2515543680	FE 155-4-3680 CYL.	175	1180	1210	50	60	215	60	42	94	58	55	350	56	R 1"	153
2515544100	FE 155-4-4100 CYL.	175	1310	1340	50	60	215	60	42	94	58	55	350	62	R 1"	168
2515544260	FE 155-4-4260 CYL.	175	1350	1380	50	60	215	60	42	94	58	55	350	65	R 1"	173
2515544440	FE 155-4-4440 CYL.	175	1400	1430	50	60	215	60	42	94	58	55	350	67	R 1"	179
2515544600	FE 155-4-4600 CYL.	175	1450	1480	50	60	215	60	42	94	58	55	350	70	R 1"	184
2515544780	FE 155-4-4780 CYL.	175	1500	1530	50	60	215	60	42	94	58	55	350	73	R 1"	190
2515544960	FE 155-4-4960 CYL.	175	1550	1580	50	60	215	60	42	94	58	55	350	75	R 1"	196
2515545140	FE 155-4-5140 CYL.	175	1600	1630	50	60	215	60	42	94	58	55	350	78	R 1"	202
2515545320	FE 155-4-5320 CYL.	175	1650	1680	50	60	215	60	42	94	58	55	350	81	R 1"	207
2515545500	FE 155-4-5500 CYL.	175	1700	1730	50	60	215	60	42	94	58	55	350	84	R 1"	213

## FE TYPE CYLINDER

PRODUCT CODE	TYPE	ØA	L	L1	ØG	ØB	C	D	S	H	I	R	E	LITER (dm3)	OIL INLET	WEIGHT (kg)
2517544100	FE 175-4-4100 CYL.	197	1310	1340	50	60	240	60	42	94	60	60	350	82	R 1"	206
2517544260	FE 175-4-4260 CYL.	197	1350	1380	50	60	240	60	42	94	60	60	350	86	R 1"	212
2517544440	FE 175-4-4440 CYL.	197	1400	1430	50	60	240	60	42	94	60	60	350	89	R 1"	219
2517544600	FE 175-4-4600 CYL.	197	1450	1480	50	60	240	60	42	94	60	60	350	92	R 1"	226
2517544780	FE 175-4-4780 CYL.	197	1500	1530	50	60	240	60	42	94	60	60	350	96	R 1"	233
2517544960	FE 175-4-4960 CYL.	197	1550	1580	50	60	240	60	42	94	60	60	350	100	R 1"	240
2517545140	FE 175-4-5140 CYL.	197	1600	1630	50	60	240	60	42	94	60	60	350	103	R 1"	247
2517545320	FE 175-4-5320 CYL.	197	1650	1680	50	60	240	60	42	94	60	60	350	107	R 1"	254
2517545500	FE 175-4-5500 CYL.	197	1700	1730	50	60	240	60	42	94	60	60	350	111	R 1"	261
2517545680	FE 175-4-5680 CYL.	197	1750	1780	50	60	240	60	42	94	60	60	350	114	R 1"	268
2517545860	FE 175-4-5860 CYL.	197	1800	1830	50	60	240	60	42	94	60	60	350	118	R 1"	275
2517546040	FE 175-4-6040 CYL.	197	1850	1880	50	60	240	60	42	94	60	60	350	122	R 1"	282
2517546220	FE 175-4-6220 CYL.	197	1900	1930	50	60	240	60	42	94	60	60	350	125	R 1"	289
2517546400	FE 175-4-6400 CYL.	197	1950	1980	50	60	240	60	42	94	60	60	350	129	R 1"	296
2517546580	FE 175-4-6580 CYL.	197	2000	2030	50	60	240	60	42	94	60	60	350	132	R 1"	303
2517546760	FE 175-4-6760 CYL.	197	2050	2080	50	60	240	60	42	94	60	60	350	136	R 1"	310
2517546940	FE 175-4-6940 CYL.	197	2100	2130	50	60	240	60	42	94	60	60	350	140	R 1"	317

PRODUCT CODE	TYPE	ØA	L	L1	ØG	ØB	C	D	S	H	I	R	E	LITER (dm3)	OIL INLET	WEIGHT (kg)
2517555125	FE 175-5-5125 CYL.	197	1310	1340	50	60	240	60	42	94	60	55	350	88	R 1"	223
2517555325	FE 175-5-5325 CYL.	197	1350	1380	50	60	240	60	42	94	60	55	350	92	R 1"	229
2517555550	FE 175-5-5550 CYL.	197	1400	1430	50	60	240	60	42	94	60	55	350	95	R 1"	237
2517555750	FE 175-5-5750 CYL.	197	1450	1480	50	60	240	60	42	94	60	55	350	99	R 1"	244
2517555975	FE 175-5-5975 CYL.	197	1500	1530	50	60	240	60	42	94	60	55	350	103	R 1"	252
2517556200	FE 175-5-6200 CYL.	197	1550	1580	50	60	240	60	42	94	60	55	350	107	R 1"	260
2517556425	FE 175-5-6425 CYL.	197	1600	1630	50	60	240	60	42	94	60	55	350	111	R 1"	268
2517556650	FE 175-5-6650 CYL.	197	1650	1680	50	60	240	60	42	94	60	55	350	115	R 1"	275
2517556875	FE 175-5-6875 CYL.	197	1700	1730	50	60	240	60	42	94	60	55	350	119	R 1"	283
2517557100	FE 175-5-7100 CYL.	197	1750	1780	50	60	240	60	42	94	60	55	350	122	R 1"	291
2517557325	FE 175-5-7325 CYL.	197	1800	1830	50	60	240	60	42	94	60	55	350	12	R 1"	298
2517557550	FE 175-5-7550 CYL.	197	1850	1880	50	60	240	60	42	94	60	55	350	130	R 1"	306
2517557775	FE 175-5-7775 CYL.	197	1900	1930	50	60	240	60	42	94	60	55	350	133	R 1"	313
2517558000	FE 175-5-8000 CYL.	197	1950	1980	50	60	240	60	42	94	60	55	350	138	R 1"	321
2517558225	FE 175-5-8225 CYL.	197	2000	2030	50	60	240	60	42	94	60	55	350	142	R 1"	328
2517558450	FE 175-5-8450 CYL.	197	2050	2080	50	60	240	60	42	94	60	55	350	145	R 1"	335
2517558675	FE 175-5-8675 CYL.	197	2100	2130	50	60	240	60	42	94	60	55	350	150	R 1"	343

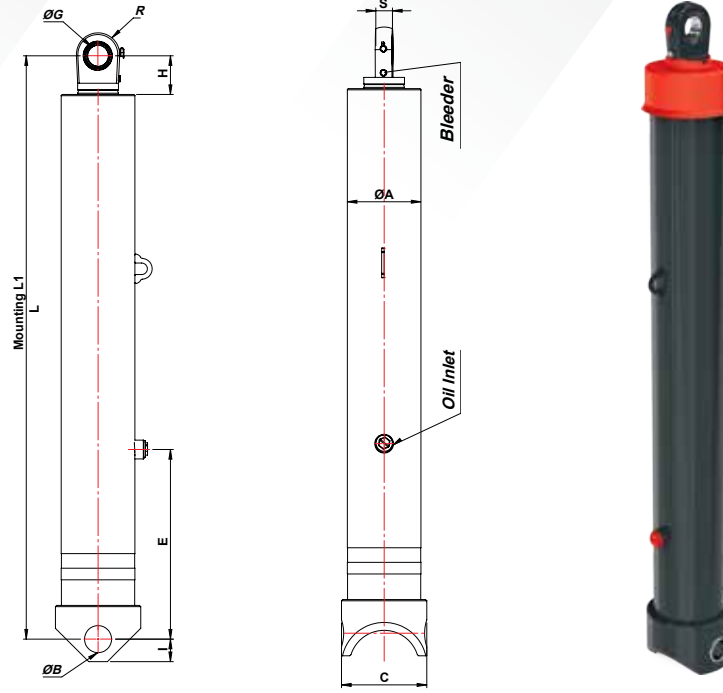


## FE TYPE CYLINDER

PRODUCT CODE	TYPE	ØA	L	L1	ØG	ØB	C	D	S	H	I	R	E	LITER (dm3)	OIL INLET	WEIGHT (kg)
2519755125	FE 197-5-5125 CYL.	220	1310	1340	60	65	265	60	52	94	65	60	350	115	R 1"	265
2519755325	FE 197-5-5325 CYL.	220	1350	1380	60	65	265	60	52	94	65	60	350	12	R 1"	275
2519755550	FE 197-5-5550 CYL.	220	400	1430	60	65	265	60	52	94	65	60	350	125	R 1"	285
2519755750	FE 197-5-5750 CYL.	220	1450	1480	60	65	265	60	52	94	65	60	350	129	R 1"	294
2519755975	FE 197-5-5975 CYL.	220	1500	1530	60	65	265	60	52	94	65	60	350	134	R 1"	303
2519756200	FE 197-5-6200 CYL.	220	1550	1580	60	65	265	60	52	94	65	60	350	139	R 1"	313
2519756425	FE 197-5-6425 CYL.	220	1600	1630	60	65	265	60	52	94	65	60	350	145	R 1"	322
2519756650	FE 197-5-6650 CYL.	220	1650	1680	60	65	265	60	52	94	65	60	350	150	R 1"	332
2519756875	FE 197-5-6875 CYL.	220	1700	1730	60	65	265	60	52	94	65	60	350	155	R 1"	341
2519757100	FE 197-5-7100 CYL.	220	1750	1780	60	65	265	60	52	94	65	60	350	160	R 1"	50
2519757325	FE 197-5-7325 CYL.	220	1800	1830	60	65	265	60	52	94	65	60	350	165	R 1"	360
2519757550	FE 197-5-7550 CYL.	220	1850	1880	60	65	265	60	52	94	65	60	350	170	R 1"	370
2519757775	FE 197-5-7775 CYL.	220	1900	1930	60	65	265	60	52	94	65	60	350	175	R 1"	379
2519758000	FE 197-5-8000 CYL.	220	1950	1980	60	65	265	60	52	94	65	60	350	180	R 1"	389
2519758225	FE 197-5-8225 CYL.	220	2000	2030	60	65	265	60	52	94	65	60	350	185	R 1"	398
2519758450	FE 197-5-8450 CYL.	220	2050	2080	60	65	265	60	52	94	65	60	350	190	R 1"	408
2519758675	FE 197-5-8675 CYL.	220	2100	2130	60	65	265	60	52	94	65	60	350	196	R 1"	418

PRODUCT CODE	TYPE	ØA	L	L1	ØG	ØB	C	D	S	H	I	R	E	LITER (dm3)	OIL INLET	WEIGHT (kg)
2522055550	FE 220-5-5550 CYL.	245	1395	1425	60	70	290	60	52	98	80	60	350	160	R 1"	359
2522055750	FE 220-5-5750 CYL.	245	1445	1475	60	70	290	60	52	98	80	60	350	165	R 1"	371
2522055975	FE 220-5-5975 CYL.	245	1495	1525	60	70	290	60	52	98	80	60	350	172	R 1"	382
2522056200	FE 220-5-6200 CYL.	245	1545	1575	60	70	290	60	52	98	80	60	350	178	R 1"	395
2522056425	FE 220-5-6425 CYL.	245	1595	1625	60	70	290	60	52	98	80	60	350	185	R 1"	405
2522056650	FE 220-5-6650 CYL.	245	1645	1675	60	70	290	60	52	98	80	60	350	191	R 1"	416
2522056875	FE 220-5-6875 CYL.	245	1695	1725	60	70	290	60	52	98	80	60	350	198	R 1"	427
2522057100	FE 220-5-7100 CYL.	245	1745	1775	60	70	290	60	52	98	80	60	350	205	R 1"	439
2522057325	FE 220-5-7325 CYL.	245	1795	1825	60	70	290	60	52	98	80	60	350	211	R 1"	450
2522057550	FE 220-5-7550 CYL.	245	1845	1875	60	70	290	60	52	98	80	60	350	218	R 1"	461
2522057775	FE 220-5-7775 CYL.	245	1895	1925	60	70	290	60	52	98	80	60	350	224	R 1"	472
2522058000	FE 220-5-8000 CYL.	245	1945	1975	60	70	290	60	52	98	80	60	350	231	R 1"	484
2522058225	FE 220-5-8225 CYL.	245	1995	2025	60	70	290	60	52	98	80	60	350	237	R 1"	497
2522058450	FE 220-5-8450 CYL.	245	2045	2075	60	70	290	60	52	98	80	60	350	243	R 1"	507
2522058675	FE 220-5-8675 CYL.	245	2095	2125	60	70	290	60	52	98	80	60	350	250	R 1"	518

## FEE TYPE CYLINDER



PRODUCT CODE	TYPE	ØA	L	L1	ØG	ØB	C	H	I	R	S	E	LITER (dm <sup>3</sup> )	OIL INLET	WEIGHT (kg)
2513543280	FEE 135-4-3280 CYL.	155	1186	1216	50	51	193	94	54	55	42	300	36	R 3/4"	115
2513543680	FEE 135-4-3680 CYL.	155	1286	1316	50	51	193	94	54	55	42	300	40	R 3/4"	124
2513544100	FEE 135-4-4100 CYL.	155	1416	1446	50	51	193	94	54	55	42	300	45	R 3/4"	136
2513544260	FEE 135-4-4260 CYL.	155	1456	1486	50	51	193	94	54	55	42	300	47	R 3/4"	140
2513544440	FEE 135-4-4440 CYL.	155	1506	1536	50	51	193	94	54	55	42	300	49	R 3/4"	143
2513544600	FEE 135-4-4600 CYL.	155	1556	1586	50	51	193	94	54	55	42	300	51	R 3/4"	150
2513544780	FEE 135-4-4780 CYL.	155	1606	1636	50	51	193	94	54	55	42	300	53	R 3/4"	154

PRODUCT CODE	TYPE	ØA	L	L1	ØG	ØB	C	H	I	R	S	E	LITER (dm <sup>3</sup> )	OIL INLET	WEIGHT (kg)
2515543680	FEE 155-4-3280 CYL.	175	1291	1321	50	51	213	94	58	60	42	300	56	R 1"	153
251554	FEE 155-4-3280 CYL.	175	1421	1451	50	51	213	94	58	60	42	300	62	R 1"	168
251554	FEE 155-4-3280 CYL.	175	1461	1491	50	51	213	94	58	60	42	300	65	R 1"	172
251554	FEE 155-4-3280 CYL.	175	1511	1541	50	51	213	94	58	60	42	300	67	R 1"	178
251554	FEE 155-4-3280 CYL.	175	1561	1591	50	51	213	94	58	60	42	300	70	R 1"	184
251554	FEE 155-4-3280 CYL.	175	1611	1641	50	51	213	94	58	60	42	300	73	R 1"	190
251554	FEE 155-4-3280 CYL.	175	1661	1691	50	51	213	94	58	60	42	300	75	R 1"	195
251554	FEE 155-4-3280 CYL.	175	1711	1741	50	51	213	94	58	60	42	300	78	R 1"	201
251554	FEE 155-4-3280 CYL.	175	1791	1791	50	51	213	94	58	60	42	300	81	R 1"	207
251554	FEE 155-4-3280 CYL.	175	1811	1841	50	51	213	94	58	60	42	300	84	R 1"	213
251554	FEE 155-4-3280 CYL.	175	1861	1891	50	51	213	94	58	60	42	300	86	R 1"	218
251554	FEE 155-4-3280 CYL.	175	1911	1941	50	51	213	94	58	60	42	300	89	R 1"	224
251554	FEE 155-4-3280 CYL.	175	1961	1991	50	51	213	94	58	60	42	300	92	R 1"	230



## FEE TYPE CYLINDER

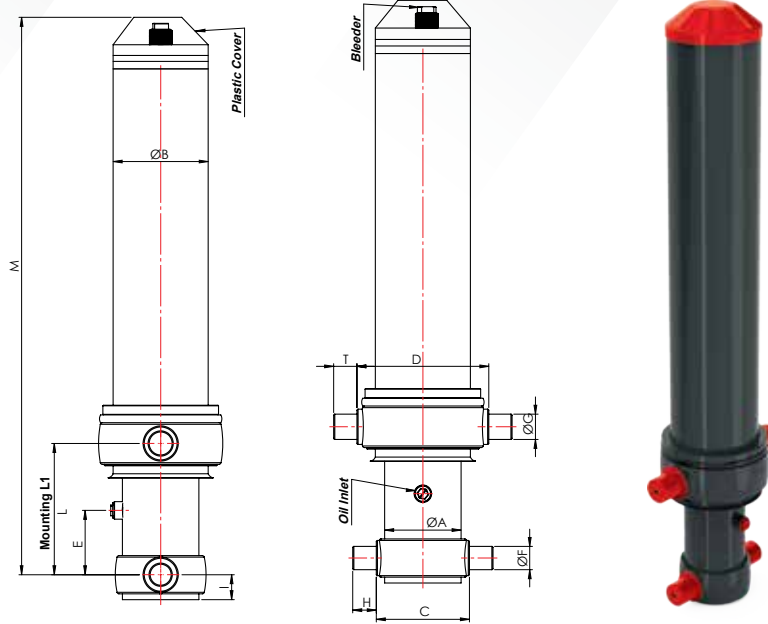
PRODUCT CODE	TYPE	ØA	L	L1	ØG	ØB	C	H	I	R	S	E	LITER (dm <sup>3</sup> )	OIL INLET	WEIGHT (kg)
2517544100	FEE 175-4-4100 CYL.	197	1425	1455	50	51	236	94	61	60	42	300	89	R 1"	207
2517544260	FEE 175-4-4260 CYL.	197	1465	1495	50	51	236	94	61	60	42	300	92	R 1"	213
2517544440	FEE 175-4-4440 CYL.	197	1515	1545	50	51	236	94	61	60	42	300	95	R 1"	220
2517544600	FEE 175-4-4600 CYL.	197	1565	1595	50	51	236	94	61	60	42	300	99	R 1"	227
2517544780	FEE 175-4-4780 CYL.	197	1615	1645	50	51	236	94	61	60	42	300	103	R 1"	234
2517544960	FEE 175-4-4960 CYL.	197	1665	1695	50	51	236	94	61	60	42	300	106	R 1"	241
2517545140	FEE 175-4-5140 CYL.	197	1715	1745	50	51	236	94	61	60	42	300	110	R 1"	248
2517545320	FEE 175-4-5320 CYL.	197	1765	1795	50	51	236	94	61	60	42	300	111	R 1"	255
2517545500	FEE 175-4-5500 CYL.	197	1815	1845	50	51	236	94	61	60	42	300	113	R 1"	262
2517545680	FEE 175-4-5680 CYL.	197	1865	1895	50	51	236	94	61	60	42	300	114	R 1"	269
2517545860	FEE 175-4-5860 CYL.	197	1915	1945	50	51	236	94	61	60	42	300	118	R 1"	276
2517546040	FEE 175-4-6040 CYL.	197	1965	1995	50	51	236	94	61	60	42	300	122	R 1"	283

PRODUCT CODE	TYPE	ØA	L	L1	ØG	ØB	C	H	I	R	S	E	LITER (dm <sup>3</sup> )	OIL INLET	WEIGHT (kg)
2517555125	FEE 175-5-5125 CYL.	197	1425	1455	50	51	236	94	61	55	42	300	88	R 1"	223
2517555325	FEE 175-5-5325 CYL.	197	1465	1495	50	51	236	94	61	55	42	300	92	R 1"	229
2517555550	FEE 175-5-5550 CYL.	197	1515	1545	50	51	236	94	61	55	42	300	95	R 1"	237
2517555750	FEE 175-5-5750 CYL.	197	1561	1595	50	51	236	94	61	55	42	300	99	R 1"	245
2517555975	FEE 175-5-5975 CYL.	197	1615	1645	50	51	236	94	61	55	42	300	103	R 1"	252
2517556200	FEE 175-5-6200 CYL.	197	1665	1695	50	51	236	94	61	55	42	300	107	R 1"	260
2517556425	FEE 175-5-6425 CYL.	197	1715	1745	50	51	236	94	61	55	42	300	111	R 1"	268
2517556650	FEE 175-5-6650 CYL.	197	1765	1795	50	51	236	94	61	55	42	300	115	R 1"	275
2517556875	FEE 175-5-6875 CYL.	197	1815	1845	50	51	236	94	61	55	42	300	119	R 1"	283
2517557100	FEE 175-5-7100 CYL.	197	1865	1895	50	51	236	94	61	55	42	300	122	R 1"	291
2517557325	FEE 175-5-7325 CYL.	197	1915	1945	50	51	236	94	61	55	42	300	126	R 1"	299
2517557550	FEE 175-5-7550 CYL.	197	1965	1995	50	51	236	94	61	55	42	300	130	R 1"	306

PRODUCT CODE	TYPE	ØA	L	L1	ØG	ØB	C	H	I	R	S	E	LITER (dm <sup>3</sup> )	OIL INLET	WEIGHT (kg)
2519755125	FEE 197-5-5125 CYL.	220	1436	1466	60	61	206	94	61	60	52	300	115	R 1"	268
2519755325	FEE 197-5-5325 CYL.	220	1476	1506	60	61	206	94	61	60	52	300	120	R 1"	275
2519755550	FEE 197-5-5550 CYL.	220	1526	1556	60	61	206	94	61	60	52	300	125	R 1"	288
2519755750	FEE 197-5-5750 CYL.	220	1576	1606	60	61	206	94	61	60	52	300	129	R 1"	297
2519755975	FEE 197-5-5975 CYL.	220	1626	1656	60	61	206	94	61	60	52	300	134	R 1"	307
2519756200	FEE 197-5-6200 CYL.	220	1676	1706	60	61	206	94	61	60	52	300	139	R 1"	316
2519756425	FEE 197-5-6425 CYL.	220	1726	1756	60	61	206	94	61	60	52	300	145	R 1"	326
2519756650	FEE 197-5-6650 CYL.	220	1776	1806	60	61	206	94	61	60	52	300	150	R 1"	335
2519756875	FEE 197-5-6875 CYL.	220	1826	1856	60	61	206	94	61	60	52	300	155	R 1"	344
2519757100	FEE 197-5-7100 CYL.	220	1876	1906	60	61	206	94	61	60	52	300	160	R 1"	354
2519757325	FEE 197-5-7325 CYL.	220	1926	1956	60	61	206	94	61	60	52	300	165	R 1"	363
2519757550	FEE 197-5-7550 CYL.	220	1976	2006	60	61	206	94	61	60	52	300	170	R 1"	372



## FEC TYPE CYLINDER



PRODUCT CODE	TYPE	ØA	ØB	L	L1	ØG	ØF	D	C	T	H	M	I	E	LITER (dm3)	OIL INLET	WEIGHT (kg)
2513532760	FEC 135-3-2760 CYL.	155	219	343	373	65	60	283	193	60	60	1215	55	190	37	R 3/4"	178
2513533720	FEC 135-3-3720 CYL.	155	219	343	373	65	60	283	193	60	60	1585	55	190	50	R 3/4"	218
2513534260	FEC 135-3-4260 CYL.	155	219	343	373	65	60	283	193	60	60	1785	55	190	58	R 3/4"	244

PRODUCT CODE	TYPE	ØA	ØB	L	L1	ØG	ØF	D	C	T	H	M	I	E	LITER (dm3)	OIL INLET	WEIGHT (kg)
2513544100	FEC 135-4-4100 CYL.	175	242	343	373	65	60	340	215	60	60	1685	55	190	73	R 1"	254

PRODUCT CODE	TYPE	ØA	ØB	L	L1	ØG	ØF	D	C	T	H	M	I	E	LITER (dm3)	OIL INLET	WEIGHT (kg)
2515543680	FEC 155-4-3680 CYL.	175	242	343	373	65	60	340	215	60	60	1215	58	190	55	R 1"	206
2515544440	FEC 155-4-4440 CYL.	175	242	343	373	65	60	340	215	60	60	1435	58	190	67	R 1"	239
2515545500	FEC 155-4-5500 CYL.	175	242	343	373	65	60	340	215	60	60	1735	58	190	84	R 1"	263
2515546040	FEC 155-4-6040 CYL.	175	242	343	373	65	60	340	215	60	60	1885	58	190	92	R 1"	284
2515546220	FEC 155-4-6220 CYL.	175	242	343	373	65	60	340	215	60	60	1935	58	190	95	R 1"	292
2515546400	FEC 155-4-6400 CYL.	175	242	343	373	65	60	340	215	60	60	1985	58	190	97	R 1"	307
2515546580	FEC 155-4-6580 CYL.	175	242	343	373	65	60	340	215	60	60	2035	58	190	100	R 1"	322
2515546660	FEC 155-4-6660 CYL.	175	242	343	373	65	60	340	215	60	60	2085	58	190	103	R 1"	340
2515546940	FEC 155-4-6940 CYL.	175	242	343	373	65	60	340	215	60	60	2135	58	190	106	R 1"	357

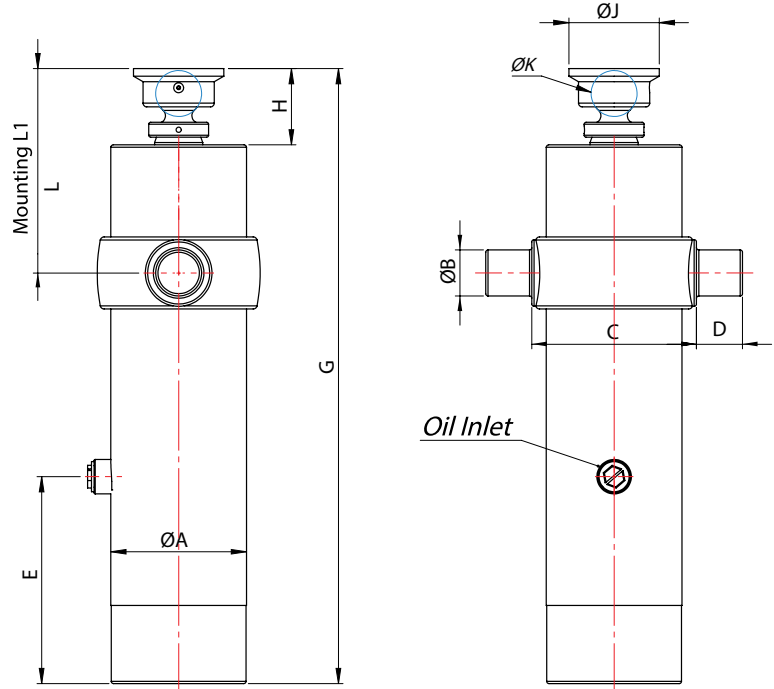
PRODUCT CODE	TYPE	ØA	ØB	L	L1	ØG	ØF	D	C	T	H	M	I	E	LITER (dm3)	OIL INLET	WEIGHT (kg)
2517544100	FEC 175-4-4100 CYL.	197	242	343	373	65	60	340	240	60	60	1448	60	190	82	R 1"	262
2517545680	FEC 175-4-5680 CYL.	197	242	343	373	65	60	340	240	60	60	1782	60	190	114	R 1"	340
2517545860	FEC 175-4-5860 CYL.	197	242	343	373	65	60	340	240	60	60	1838	60	190	118	R 1"	349
2517546040	FEC 175-4-6040 CYL.	197	242	343	373	65	60	340	240	60	60	1888	60	190	122	R 1"	357
2517546220	FEC 175-4-6220 CYL.	197	242	343	373	65	60	340	240	60	60	1938	60	190	125	R 1"	366
2517546400	FEC 175-4-6400 CYL.	197	242	343	373	65	60	340	240	60	60	1988	60	190	126	R 1"	375
2517546580	FEC 175-4-6580 CYL.	197	242	343	373	65	60	340	240	60	60	2038	60	190	132	R 1"	384
2517546760	FEC 175-4-6760 CYL.	197	242	343	373	65	60	340	240	60	60	2088	60	190	136	R 1"	393
2517546940	FEC 175-4-6940 CYL.	197	242	343	373	65	60	340	240	60	60	2138	60	190	140	R 1"	402



FEC TYPE CYLINDER

PRODUCT CODE	TYPE	ØA	ØB	L	L1	ØG	ØF	D	C	T	H	M	I	E	LITER (dm3)	OIL INLET	WEIGHT (kg)
2517555125	FEC 175-5-5125 CYL.	197	242	343	373	65	60	340	240	60	60	1348	60	190	88	R 1"	279
2517555325	FEC 175-5-5325 CYL.	197	242	343	373	65	60	340	240	60	60	1388	60	190	92	R 1"	287
2517555550	FEC 175-5-5550 CYL.	197	242	343	373	65	60	340	240	60	60	1438	60	190	95	R 1"	297
2517555750	FEC 175-5-5750 CYL.	197	242	343	373	65	60	340	240	60	60	1488	60	190	99	R 1"	307
2517555975	FEC 175-5-5975 CYL.	197	242	343	373	65	60	340	240	60	60	1538	60	190	103	R 1"	316
2517556200	FEC 175-5-6200 CYL.	197	242	343	373	65	60	340	240	60	60	1588	60	190	107	R 1"	325
2517556425	FEC 175-5-6425 CYL.	197	242	343	373	65	60	340	240	60	60	1638	60	190	111	R 1"	334
2517556650	FEC 175-5-6650 CYL.	197	242	343	373	65	60	340	240	60	60	1688	60	190	115	R 1"	343
2517556875	FEC 175-5-6875 CYL.	197	242	343	373	65	60	340	240	60	60	1738	60	190	119	R 1"	353
2517557100	FEC 175-5-7100 CYL.	197	242	343	373	65	60	340	240	60	60	1788	60	190	122	R 1"	363
2517557375	FEC 175-5-7375 CYL.	197	242	343	373	65	60	340	240	60	60	1838	60	190	126	R 1"	371
2517557550	FEC 175-5-7550 CYL.	197	242	343	373	65	60	340	240	60	60	1888	60	190	130	R 1"	381
2517557775	FEC 175-5-4100 CYL.	197	242	343	373	65	60	340	240	60	60	1938	60	190	133	R 1"	391
2517558000	FEC 175-5-8000 CYL.	197	242	343	373	65	60	340	240	60	60	1988	60	190	138	R 1"	400
2517558225	FEC 175-5-8225 CYL.	197	242	343	373	65	60	340	240	60	60	2038	60	190	142	R 1"	410
2517558450	FEC 175-5-8450 CYL.	197	242	343	373	65	60	340	240	60	60	2088	60	190	145	R 1"	420
2517558675	FEC 175-5-8675 CYL.	197	242	343	373	65	60	340	240	60	60	2138	60	190	150	R 1"	429

PRODUCT CODE	TYPE	ØA	ØB	L	L1	ØG	ØF	D	C	T	H	M	I	E	LITER (dm3)	OIL INLET	WEIGHT (kg)
2519755125	FEC 197-5-5125 CYL.	220	273	343	373	65	65	355	265	60	60	1351	65	190	115	R 1"	365
2519755325	FEC 197-5-5325 CYL.	220	273	343	373	65	65	355	265	60	60	1391	65	190	120	R 1"	377
2519755550	FEC 197-5-5550 CYL.	220	273	343	373	65	65	355	265	60	60	1441	65	190	125	R 1"	389
2519755750	FEC 197-5-5750 CYL.	220	273	343	373	65	65	355	265	60	60	1491	65	190	129	R 1"	400
2519755975	FEC 197-5-5975 CYL.	220	273	343	373	65	65	355	265	60	60	1541	65	190	134	R 1"	411
2519756200	FEC 197-5-6200 CYL.	220	273	343	373	65	65	355	265	60	60	1591	65	190	139	R 1"	423
2519756425	FEC 197-5-6425 CYL.	220	273	343	373	65	65	355	265	60	60	1641	65	190	145	R 1"	434
2519756650	FEC 197-5-6650 CYL.	220	273	343	373	65	65	355	265	60	60	1691	65	190	150	R 1"	446
2519756875	FEC 197-5-6875 CYL.	220	273	343	373	65	65	355	265	60	60	1741	65	190	155	R 1"	457
2519757100	FEC 197-5-7100 CYL.	220	273	343	373	65	65	355	265	60	60	1791	65	190	160	R 1"	468
2519757375	FEC 197-5-7375 CYL.	220	273	343	373	65	65	355	265	60	60	1841	65	190	165	R 1"	479
2519757550	FEC 197-5-7550 CYL.	220	273	343	373	65	65	355	265	60	60	1891	65	190	170	R 1"	491
2519758000	FEC 197-5-8000 CYL.	220	273	343	373	65	65	355	265	60	60	1941	65	190	175	R 1"	502
2519758225	FEC 197-5-8225 CYL.	220	273	343	373	65	65	355	265	60	60	1991	65	190	180	R 1"	513
2519758450	FEC 197-5-8450 CYL.	220	273	343	373	65	65	355	265	60	60	2041	65	190	185	R 1"	524
2519758675	FEC 197-5-8675 CYL.	220	273	343	373	65	65	355	265	60	60	2091	65	190	190	R 1"	536
251975	FEC 197-5-4100 CYL.	220	273	343	373	65	65	355	265	60	60	2141	65	190	196	1"	547



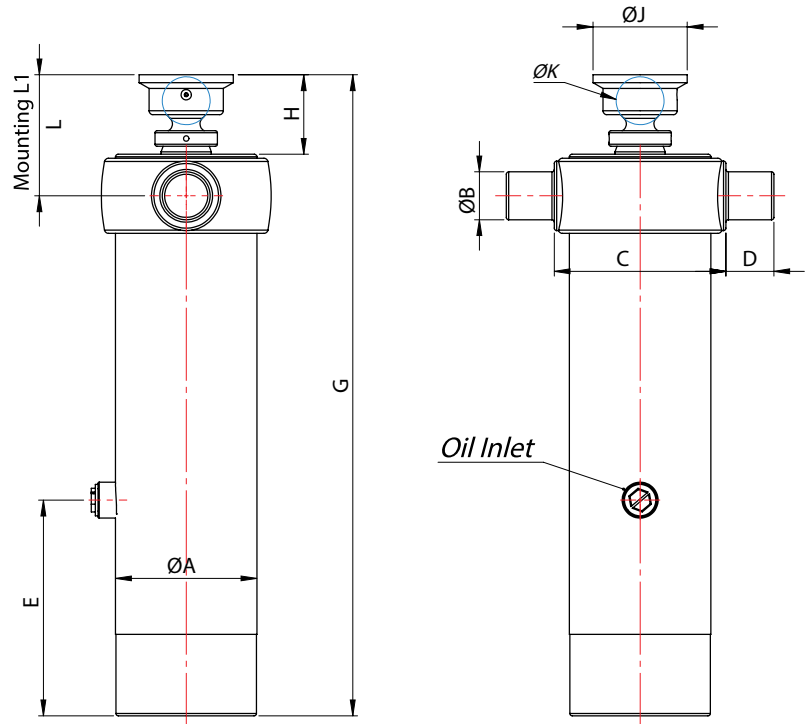
PRODUCT CODE	TYPE	ØA	L1	ØB	C	D	G	H	J	ØK	E	LITER (dm3)	OIL INLET	WEIGHT (kg)
2515552550	UBK 155-5-2550 CYL.	175	260	60	215	60	800	97	118	60	270	31	R 3/4"	114
2515563060	UBK 155-6-3060 CYL.	175	260	60	215	60	800	97	118	60	270	32	R 3/4"	118

PRODUCT CODE	TYPE	ØA	L1	ØB	C	D	G	H	J	ØK	E	LITER (dm3)	OIL INLET	WEIGHT (kg)
2517552550	UBK 175-5-2550 CYL.	197	260	60	240	60	770	110	118	65	270	41	R 1"	139
2517563060	UBK 175-6-3060 CYL.	197	260	60	240	60	770	110	118	65	270	43	R 1"	145
2517573060	UBK 175-7-3060 CYL.	197	260	60	240	60	770	110	118	65	270	45	R 1"	151

PRODUCT CODE	TYPE	ØA	L1	ØB	C	D	G	H	J	ØK	E	LITER (dm3)	OIL INLET	WEIGHT (kg)
2519761800	UBK 197-6-1800 CYL.	220	255	60	290	60	593	130	148	75	150	34	R 1"	140
2519771800	UBK 197-7-1800 CYL.	220	273	60	290	60	533	120	148	75	115	29	R 1"	128
2519763060	UBK 197-6-3060 CYL.	220	265	65	265	60	770	110	118	65	270	60	R 1"	178
2519783570	UBK 197-8-3570 CYL.	220	265	65	265	60	770	110	118	65	270	62	R 1"	185



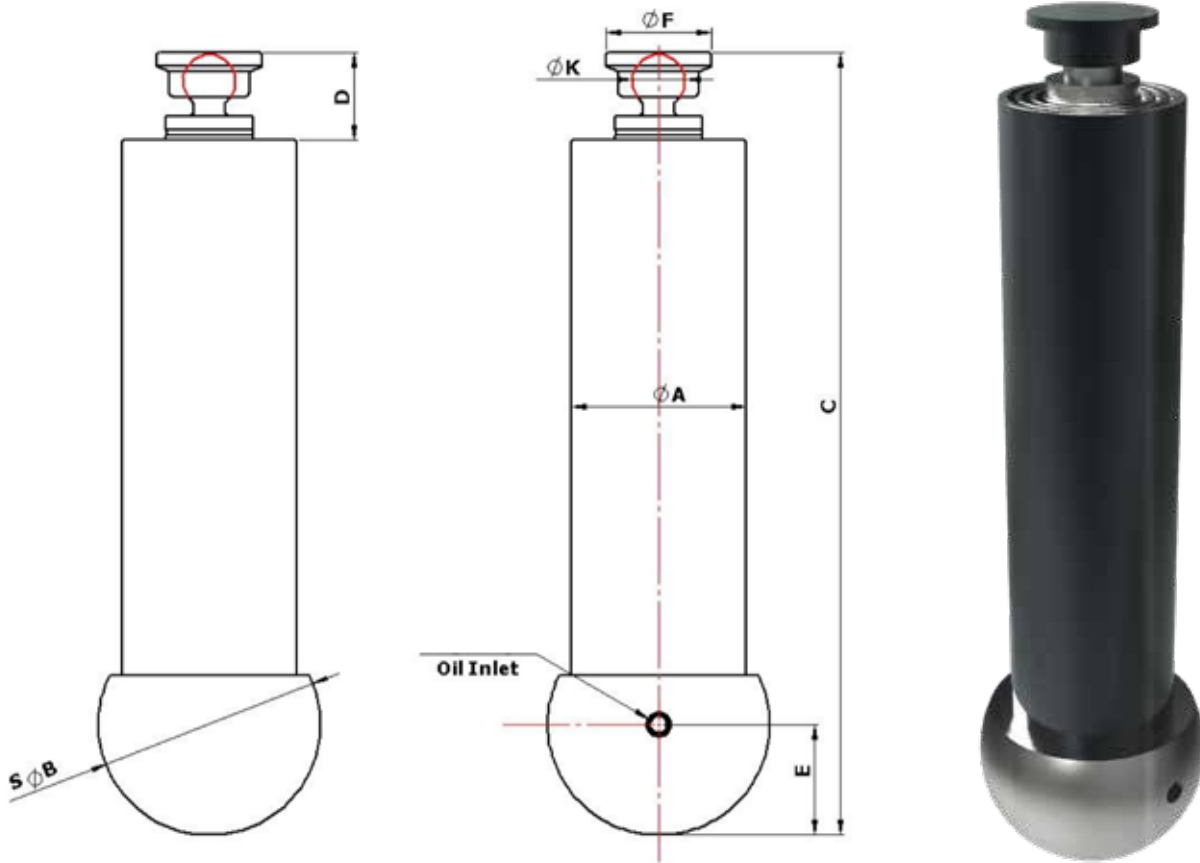
## UBKB TYPE CYLINDER



PRODUCT CODE	TYPE	ØA	L	ØB	C	D	G	H	J	ØK	E	LITER (dm3)	OIL INLET	WEIGHT (kg)
251162800	UBK 116-2-800 CYL.	137	150	45	170	40	670	110	148	75	140	8	R 3/4"	52
251163800	UBK 116-3-800 CYL.	137	150	45	170	40	570	110	148	75	140	7	R 3/4"	50
2515552550	UBK 155-5-2550 CYL.	175	155	60	215	60	800	97	118	60	270	31	R 3/4"	114
2515563060	UBK 155-6-3060 CYL.	175	155	60	215	60	800	97	118	60	270	32	R 3/4"	118

PRODUCT CODE	TYPE	ØA	L	ØB	C	D	G	H	J	ØK	E	LITER (dm3)	OIL INLET	WEIGHT (kg)
2517552550	UBK 175-5-2550 CYL.	197	170	60	240	60	770	110	118	65	270	41	R 1"	139
2517563060	UBK 175-6-3060 CYL.	197	170	60	240	60	770	110	118	65	270	43	R 1"	145
2517573060	UBK 175-7-3060 CYL.	197	170	60	240	60	770	110	118	65	270	45	R 1"	151

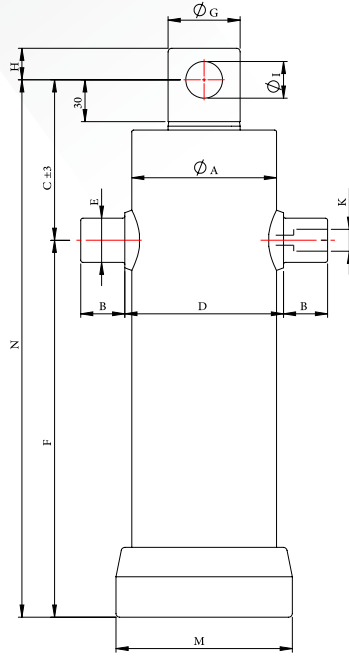
PRODUCT CODE	TYPE	ØA	L	ØB	C	D	G	H	J	ØK	E	LITER (dm3)	OIL INLET	WEIGHT (kg)
2519763060	UBK 197-6-3060 CYL.	220	175	65	265	60	770	110	118	65	270	60	R 1"	178
2519773570	UBK 197-8-3570 CYL.	220	175	65	265	60	770	110	118	65	270	62	R 1"	185



PRODUCT CODE	TYPE	ØA	ØB	ØK	ØF	D	C	E	LITER (dm <sup>3</sup> )	OIL INLET	WEIGHT (kg)
251653600	UBKN 165-3-600 CYL.	165	215	58	110	90	470	109	14	R 3/4"	52
251653900	UBKN 165-3-900 CYL.	165	215	58	110	90	570	109	15	R 3/4"	62
2516531500	UBKN 165-3-1500 CYL.	165	215	58	110	90	770	109	23	R 3/4"	82
2516541400	UBKN 165-4-1400 CYL.	165	215	58	110	90	620	110	20	R 3/4"	73
2516542000	UBKN 165-4-2000 CYL.	165	215	58	110	90	770	109	26	R 3/4"	90
2516551000	UBKN 165-5-1000 CYL.	165	215	58	110	90	470	111	14	R 3/4"	60
2516551500	UBKN 165-5-1500 CYL.	165	215	58	110	90	570	109	17	R 3/4"	71
2516552000	UBKN 165-5-2000 CYL.	165	215	58	110	90	670	112	21	R 3/4"	85
2516552500	UBKN 165-5-2500 CYL.	165	215	58	110	90	770	109	25	R 3/4"	100
251903600	UBKN 190-3-600 CYL.	190	240	58	110	90	470	122	21	R 3/4"	65
251903900	UBKN 190-3-900 CYL.	190	240	58	110	90	570	122	24	R 3/4"	77
2519031500	UBKN 190-3-1500 CYL.	190	240	58	110	90	770	122	34	R 3/4"	105
2519041400	UBKN 190-4-1400 CYL.	190	240	58	110	90	620	122	28	R 3/4"	92
2519042000	UBKN 190-4-2000 CYL.	190	240	58	110	90	770	122	40	R 3/4"	117
2519051000	UBKN 190-5-1000 CYL.	190	240	58	110	90	470	122	19	R 3/4"	75
2519051500	UBKN 190-5-1500 CYL.	190	240	58	110	90	570	122	26	R 3/4"	91
2519052000	UBKN 190-5-2000 CYL.	190	240	58	110	90	670	122	32	R 3/4"	106
2519052500	UBKN 190-5-2500 CYL.	190	240	58	110	90	770	122	38	R 3/4"	123

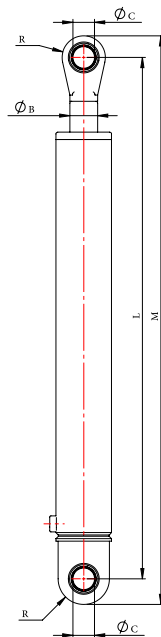
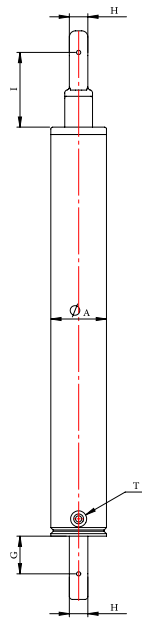


UBKA TYPE CYLINDER



PRODUCT CODE	TYPE	ØA	D	ØG	ØI	J	H	F	C	B	E	LITER (dm3)	OIL INLET	WEIGHT (kg)
251052900	UBKA 105-2-900	125	148	60	35	30	30	470	140	40	40	8	R 1/2"	35
251053900	UBKA 105-3-900	125	148	60	35	30	30	320	140	40	40	10	R 1/2"	37
2510531300	UBKA 105-3-1300	125	148	60	35	30	30	460	140	40	40	12	R 1/2"	40

CCR TYPE CYLINDER



PRODUCT CODE	TYPE	ØA	ØB	ØC	H	L	M	I	R	LITER (dm3)	OIL INLET	WEIGHT (kg)
257040400	CCR 70-40-400	70	40	25	25	641	25	10	30	2	R 3/8"	11
257040450	CCR 70-40-450	70	40	25	25	720	25	10	30	2	R 3/8"	12
257040650	CCR 70-40-650	70	40	25	25	1040	25	10	30	3	R 3/8"	13
258040400	CCR 80-40-400	80	40	25	25	641	25	10	30	3	R 3/8"	14



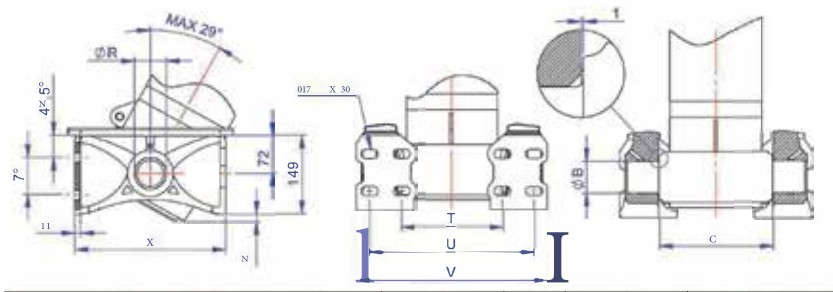
# BRACKET KITS

## *Section*

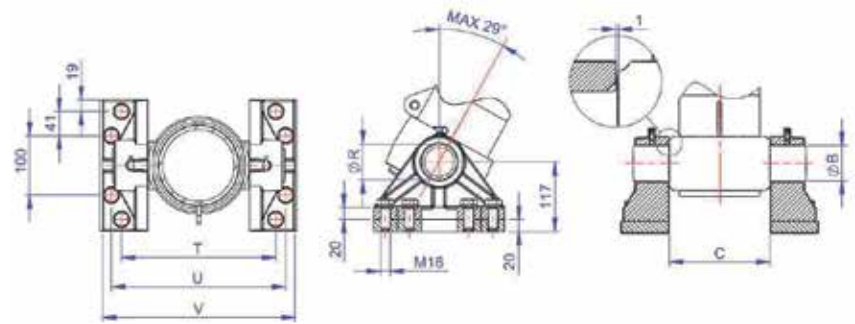


**Hydraulic**

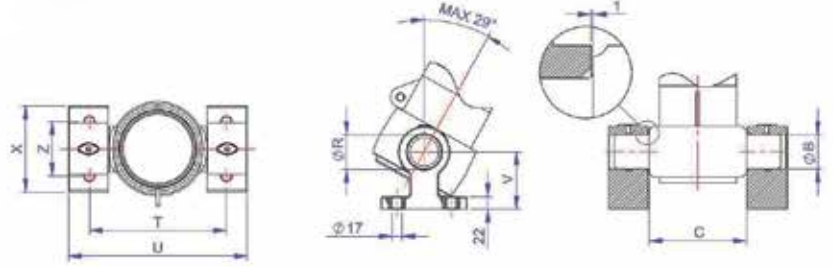




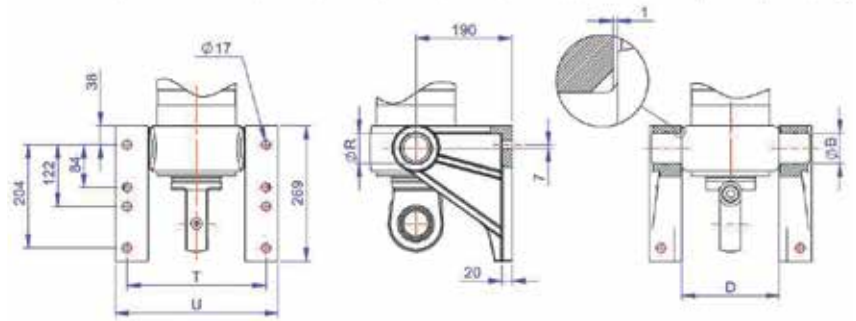
CYLINDER TYPE	C	ØB	X	T	U	V	ØR	Z	WEIGHT (kg)
FEC-25098	145	50	220	221	-	257	50.8	16	~ 12 kg
FEC- 25116	170	60	286	149	269	318	60.8	3	~ 19 kg
FEC- 25135	193	60	286	172	292	341	60.8	8	~ 19 kg
FEC- 25155	215	60	286	194	314	363	60.8	15	~ 19 kg
FEC- 25155	215	60	368	194	314	363	60.8	15	~ 31.5 kg
FEC- 25175	240	60	368	219	339	387	60.8	19	~ 31.5 kg
FEC- 25197	265	65	368	244	364	413	60.8	33	~ 31 kg
FEC- 25220	290	70	368	269	389	438	70.8	48	~ 30.5 kg



CYLINDER TYPE	C	ØB	X	T	U	V	ØR	Z	WEIGHT (kg)
FE- 25116	170	60	-	260	294	324	60.8	-	~ 17 kg
FE- 25135	193	60	-	283	317	347	60.8	-	~ 17 kg
FE- 25155	215	60	-	305	339	369	60.8	-	~ 17 kg
FE- 25175	240	60	-	330	364	394	60.8	-	~ 17 kg
FE- 25197	265	65	-	355	389	419	65.8	-	~ 17 kg
FE- 25220	290	70	-	380	414	452	70.8	-	~ 21.5 kg

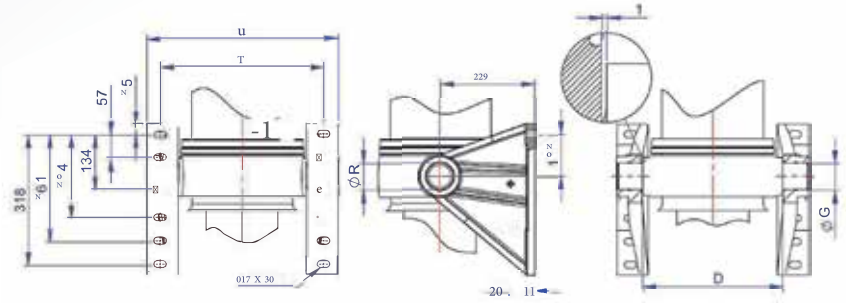


CYLINDER TYPE	C	ØB	X	T	U	V	ØR	Z	WEIGHT (kg)
UBKA-25105	148	40	155	184	248	36	40	120	~ 8.5 kg
UBKA- 25116	170	45	155	206	270	36	45	120	~ 8.5 kg
UBKA- 25125	168	50	155	204	268	36	50	120	~ 8.5 kg
UBKA- 25125	168	55	155	204	268	36	55	120	~ 8.5 kg

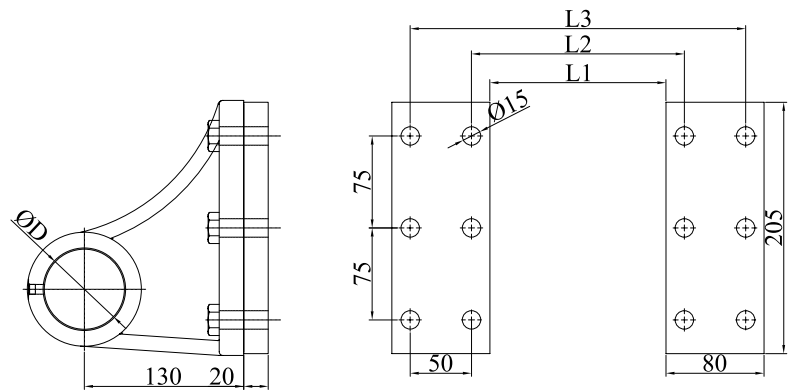


CYLINDER TYPE	D	ØB	X	T	U	V	ØR	Z	WEIGHT (kg)
FEA-25098	145	44	-	227	277	-	44.5	-	~ 12.5 kg
FEA-25116	170	60	-	254	300	-	60.8	-	~ 17 kg
FEA-25135	193	60	-	277	323	-	60.8	-	~ 17 kg
FEA-25155	215	60	-	299	345	-	60.8	-	~ 17 kg
FEA-25175	240	60	-	324	370	-	60.8	-	~ 17 kg

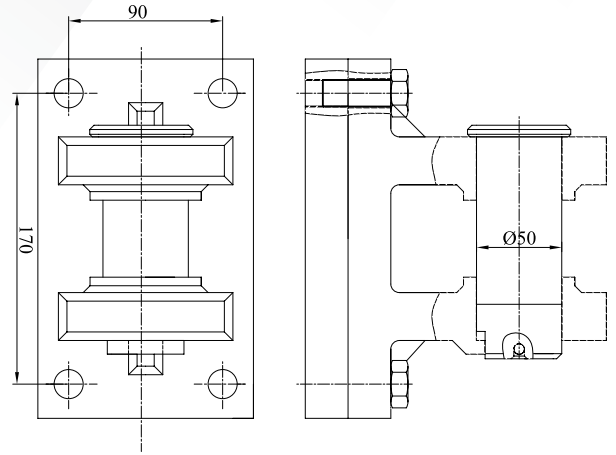




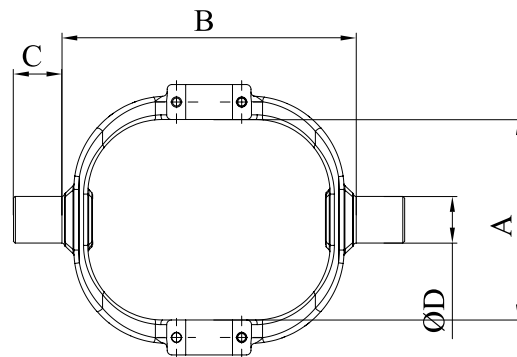
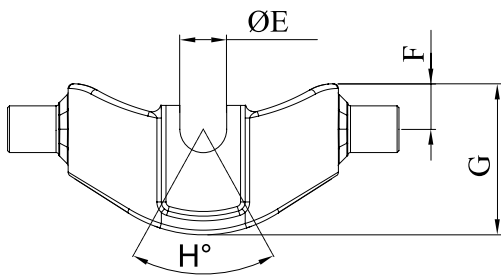
CYLINDER TYPE	D	ØB	X	T	U	V	ØR	Z	WEIGHT (kg)
FEC-25096	216	44	-	296	348	-	44.5	-	~ 12.5 kg
FEC-25116	216	44	-	296	348	-	44.5	-	~ 12.5 kg
FEC-25135	283	65	-	342	405	-	65.8	-	~ 25 kg
FEC-25155	340	65	-	400	462	-	65.8	-	~ 25 kg
FEC-25175	340	65	-	400	462	-	65.8	-	~ 25 kg
FEC-25197	355	65	-	414	477	-	65.8	-	~ 25 kg
FEC-25220	355	65	-	414	477	-	65.8	-	~ 25 kg



CYLINDER TYPE	ØD	L1	L2	L3	WEIGHT (kg)
FEB-25098	45 mm	170 mm	193 mm	215 mm	~ 17 kg
FEB-25116	55 mm	193 mm	204 mm	240 mm	~ 17 kg
FEB-25135	60 mm	204 mm	215 mm	265 mm	~ 17 kg



CYLINDER TYPE	ØD	WEIGHT (kg)
FOR ALL TYPES	50 MM	~ 16 kg



CYLINDER TYPE	A	B	C	ØD	F	G	H	WEIGHT (kg)
UBKA-25105	128 mm	230 mm	45 mm	45 mm	25 mm	95 mm	60°	~ 10.5 kg
UBKA-25125	148 mm	250 mm	55 mm	55 mm	35 mm	120 mm	60°	~ 14 kg
UBKA-25145	168 mm	270 mm	60 mm	60 mm	45 mm	170 mm	60°	~ 17 kg



# HYDRAULIC PUMPS

## *Section*

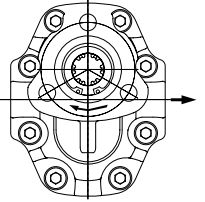
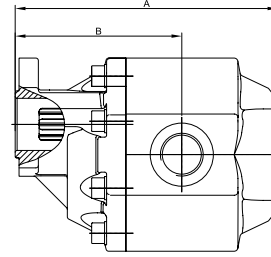
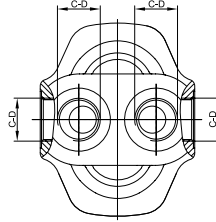


**Hydraulic**



## BI-ROTATIONAL UNI GEAR PUMP

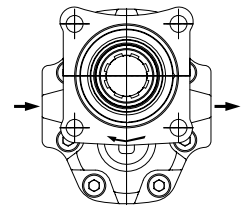
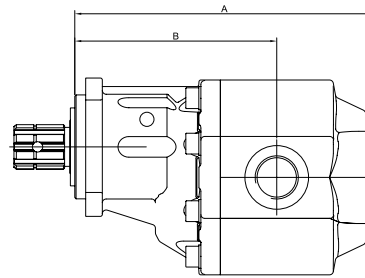
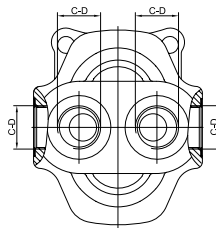
### GP DD UNI



PRODUCT TYPE	PRODUCT CODE	A (mm)	B (mm)	OIL INLET	OIL OUTLET	DISPLACEMENT	WORKING PRESSURE	MAX. INTERMITTENT PRESSURE	MAX. CONTINUOUS SPEED	MAX. SPEED AT INTERMIT PRESSURE	WEIGHT
GP 30/43 DD UNI	21143004383	176	111,4	R 1"	R 1"	43 cm <sup>3</sup> /rev	200 bar	260 bar	1500 rpm.	2500 rpm.	12 kg
GP 30/61 DD UNI	21143006183	186	124,4	R 1"	R 1"	58 cm <sup>3</sup> /rev	190 bar	250 bar	1500 rpm.	2000 rpm.	13 kg
GP 30/82 DD UNI	21143008283	204	129,4	R 1"	R 1"	85 cm <sup>3</sup> /rev	190 bar	250 bar	1400 rpm.	1800 rpm.	14 kg
GP 30/92 DD UNI	21143009283	210	129,4	R 1"	R 1"	93 cm <sup>3</sup> /rev	190 bar	250 bar	1400 rpm.	1800 rpm.	15 kg
GP 40/92 DD UNI	21144009283	210,5	133	R 1"	R 1"	92 cm <sup>3</sup> /rev	200 bar	250 bar	1400 rpm.	2500 rpm.	18 kg
GP 40/109 DD UNI	21144010983	217,5	136	R 1"	R 1"	108 cm <sup>3</sup> /rev	200 bar	250 bar	1400 rpm.	2500 rpm.	20 kg

## BI-ROTATIONAL GEAR PUMP

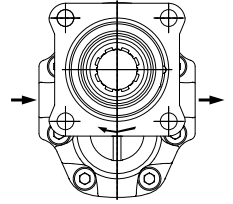
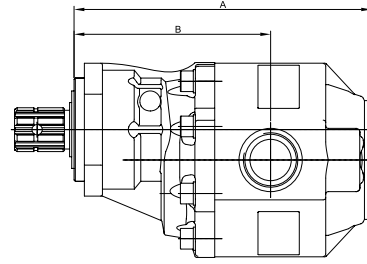
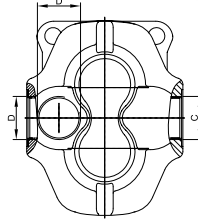
### GP DD



PRODUCT TYPE	PRODUCT CODE	A (mm)	B (mm)	OIL INLET	OIL OUTLET	DISPLACEMENT	WORKING PRESSURE	MAX. INTERMITTENT PRESSURE	MAX. CONTINUOUS SPEED	MAX. SPEED AT INTERMIT PRESSURE	WEIGHT
GP 30/43 DD	21143004373	199	142	R 1"	R 1"	43 cm <sup>3</sup> /rev	200 bar	260 bar	1500 rpm.	2500 rpm.	12 kg
GP 30/61 DD	21143006173	209	147	R 1"	R 1"	58 cm <sup>3</sup> /rev	190 bar	250 bar	1500 rpm.	2000 rpm.	13 kg
GP 30/82 DD	21143008273	230	155,5	R 1"	R 1"	85 cm <sup>3</sup> /rev	190 bar	250 bar	1400 rpm.	1800 rpm.	14 kg
GP 30/92 DD	21143009273	236	155,5	R 1"	R 1"	93 cm <sup>3</sup> /rev	190 bar	250 bar	1400 rpm.	1800 rpm.	15 kg
GP 40/92 DD	21144009273	230	155,5	R 1"	R 1"	92 cm <sup>3</sup> /rev	200 bar	250 bar	1400 rpm.	2500 rpm.	18 kg
GP 40/109 DD	21144010973	237	158,5	R 1"	R 1"	108 cm <sup>3</sup> /rev	200 bar	250 bar	1400 rpm.	2500 rpm.	20 kg

## ISO GEAR PUMP

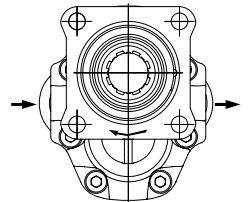
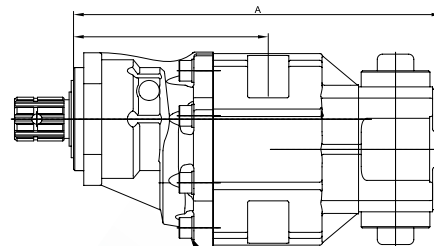
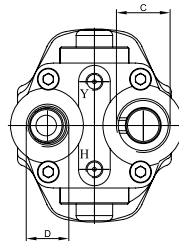
### GP ISO



PRODUCT TYPE	PRODUCT CODE RIGHT	PRODUCT CODE LEFT	A (mm)	B (mm)	OIL INLET	OIL OUTLET	DISPLACEMENT	WORKING PRESSURE	MAX. INTERMITTENT PRESSURE	MAX. CONTINUOUS SPEED	MAX. SPEED AT INTERMIT PRESSURE	WEIGHT
GP 30/17 ISO	21113001771	21113001772	187,5	129	R 1/2"	R 1/2"	17 cm <sup>3</sup> /rev	290 bar	315 bar	1500 rpm.	2500 rpm.	12 kg
GP 30/22 ISO	21113002271	21113002272	190,5	129	R 1/2"	R 1/2"	22 cm <sup>3</sup> /rev	290 bar	315 bar	1500 rpm.	2500 rpm.	12 kg
GP 30/27 ISO	21113002771	21113002772	193,5	132	R 3/4"	R 1/2"	27 cm <sup>3</sup> /rev	290 bar	315 bar	1500 rpm.	2500 rpm.	12,5 kg
GP 30/34 ISO	21113003471	21113003472	198,5	132	R 3/4"	R 3/4"	34 cm <sup>3</sup> /rev	280 bar	300 bar	1500 rpm.	2500 rpm.	13 kg
GP 30/43 ISO	21113004371	21113004372	202,5	136	R 1"	R 3/4"	43 cm <sup>3</sup> /rev	200 bar	260 bar	1500 rpm.	2500 rpm.	13 kg
GP 30/61 ISO	21113006171	21113006172	212,5	142	R 1 1/4"	R 1"	58 cm <sup>3</sup> /rev	200 bar	250 bar	1500 rpm.	2000 rpm.	14 kg
GP 30/82 ISO	21113008271	21113008272	230,5	152	R 1 1/4"	R 1"	85 cm <sup>3</sup> /rev	190 bar	250 bar	1400 rpm.	1800 rpm.	15 kg
GP 30/92 ISO	21113009271	21113009272	236,5	158,5	R 1 1/4"	R 1"	93 cm <sup>3</sup> /rev	190 bar	250 bar	1400 rpm.	1800 rpm.	16 kg
GP 37/107 ISO	21113710771	21113710772	248,5	162,3	R 1 1/4"	R 1"	111 cm <sup>3</sup> /rev	190 bar	250 bar	1400 rpm.	1800 rpm.	18 kg
GP 40/87 ISO	21114008771	21114008772	227	152	R 1 1/4"	R 1"	87 cm <sup>3</sup> /rev	200 bar	250 bar	1400 rpm.	2500 rpm.	17,5 kg
GP 40/109 ISO	21114010971	21114010972	235	158,5	R 1 1/4"	R 1"	108 cm <sup>3</sup> /rev	200 bar	250 bar	1400 rpm.	2500 rpm.	21 kg
GP 40/133 ISO	21114013371	21114013372	242	163	R 1 1/4"	R 1"	127 cm <sup>3</sup> /rev	190 bar	240 bar	1300 rpm.	2400 rpm.	22 kg

## (ISO) GEAR PUMP WITH PNEUMATIC VALVE

### GP KV ISO



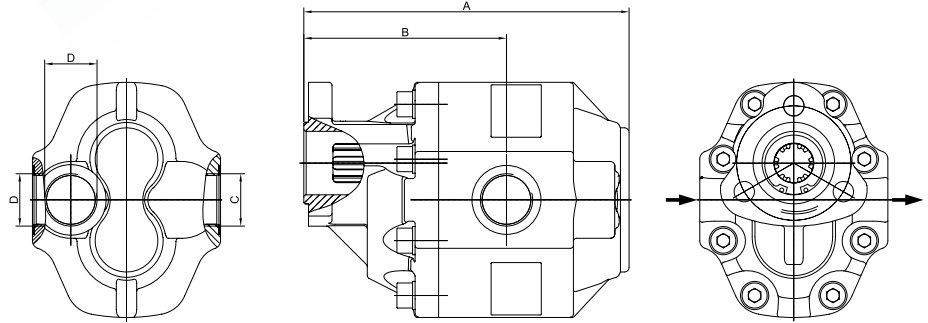
PRODUCT TYPE	PRODUCT CODE RIGHT	PRODUCT CODE LEFT	A (mm)	OIL INLET	OIL OUTLET	DISPLACEMENT	WORKING PRESSURE	MAX. INTERMITTENT PRESSURE	MAX. CONTINUOUS SPEED	MAX. SPEED AT INTERMIT PRESSURE	WEIGHT
GP 30/82 KV ISO	21123008271	21123008272	287,5	R 1 1/4"	R 1"	85 cm <sup>3</sup> /rev	190 bar	250 bar	1400 rpm.	1800 rpm.	18 kg





**UNI GEAR PUMP**

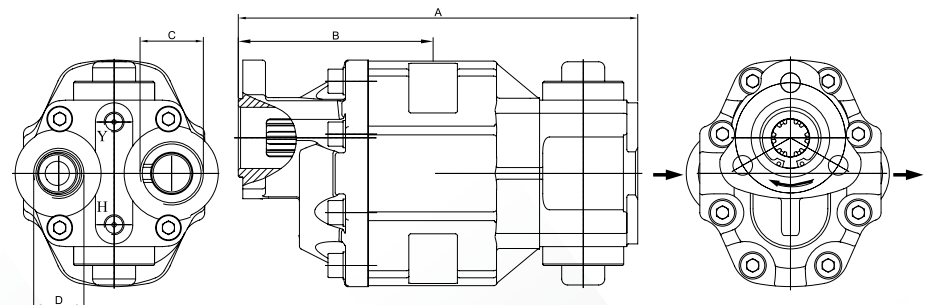
GP UNI



PRODUCT TYPE	PRODUCT CODE RIGHT	PRODUCT CODE LEFT	A (mm)	B (mm)	OIL INLET	OIL OUTLET	DISPLACEMENT	WORKING PRESSURE	MAX. INTERMITTENT PRESSURE	MAX. CONTINUOUS SPEED	MAX. SPEED AT INTERMIT PRESSURE	WEIGHT
GP 30/17 UNI	21113001781	21113001782	164,5	106	R 1/2"	R 1/2"	17 cm <sup>3</sup> /rev	290 bar	315 bar	1500 rpm.	2500 rpm.	10 kg
GP 30/22 UNI	21113002281	21113002282	167,5	106	R 1/2"	R 1/2"	22 cm <sup>3</sup> /rev	290 bar	315 bar	1500 rpm.	2500 rpm.	10 kg
GP 30/27 UNI	21113002781	21113002782	170,5	109	R 3/4"	R 1/2"	27 cm <sup>3</sup> /rev	290 bar	315 bar	1500 rpm.	2500 rpm.	10 kg
GP 30/34 UNI	21113003481	21113003482	175,5	109	R 3/4"	R 3/4"	34 cm <sup>3</sup> /rev	280 bar	300 bar	1500 rpm.	2500 rpm.	10 kg
GP 30/43 UNI	21113004381	21113004382	179,5	113	R 1"	R 3/4"	43 cm <sup>3</sup> /rev	200 bar	260 bar	1500 rpm.	2500 rpm.	10 kg
GP 30/61 UNI	21113006181	21113006182	189,5	119	R 1 1/4"	R 1"	58 cm <sup>3</sup> /rev	200 bar	250 bar	1500 rpm.	2000 rpm.	12,5 kg
GP 30/82 UNI	21113008281	21113008282	207,5	129	R 1 1/4"	R 1"	85 cm <sup>3</sup> /rev	190 bar	250 bar	1400 rpm.	1800 rpm.	13 kg
GP 30/92 UNI	21113009281	21113009282	213,5	135	R 1 1/4"	R 1"	93 cm <sup>3</sup> /rev	190 bar	250 bar	1400 rpm.	1800 rpm.	14 kg
GP 37/107 UNI	21113710781	21113710782	225,5	139	R 1 1/4"	R 1"	111 cm <sup>3</sup> /rev	190 bar	250 bar	1400 rpm.	1800 rpm.	16 kg
GP 40/87 UNI	21114008781	21114008782	204,5	129,5	R 1 1/4"	R 1"	87 cm <sup>3</sup> /rev	200 bar	250 bar	1400 rpm.	2500 rpm.	17 kg
GP 40/109 UNI	21114010981	21114010982	212,5	136	R 1 1/4"	R 1"	108 cm <sup>3</sup> /rev	200 bar	250 bar	1400 rpm.	2500 rpm.	21 kg
GP 40/133 UNI	21114013381	21114013382	219,5	140,5	R 1 1/4"	R 1"	127 cm <sup>3</sup> /rev	190 bar	240 bar	1300 rpm.	2400 rpm.	22 kg

**(UNI) GEAR PUMP WITH PNEUMATIC VALVE**

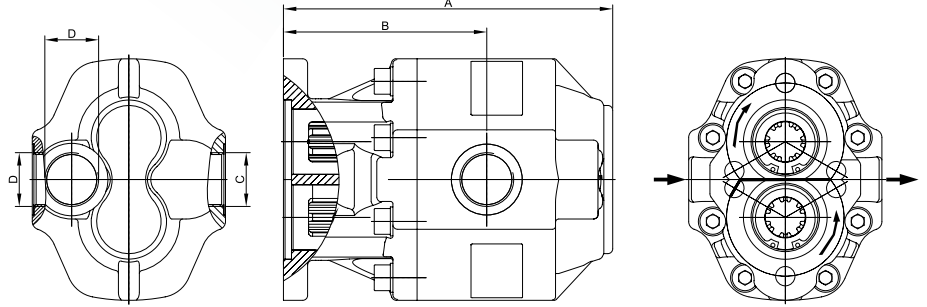
GP KV UNI



PRODUCT TYPE	PRODUCT CODE RIGHT	PRODUCT CODE LEFT	A (mm)	OIL INLET	OIL OUTLET	DISPLACEMENT	WORKING PRESSURE	MAX. INTERMITTENT PRESSURE	MAX. CONTINUOUS SPEED	MAX. SPEED AT INTERMIT PRESSURE	WEIGHT
GP 30/82 KV UNI	21123008281	21123008282	264,5	R 1 1/4"	R 1"	85 cm <sup>3</sup> /rev	190 bar	250 bar	1400 rpm.	1800 rpm.	16 kg

## T2 GEAR PUMP

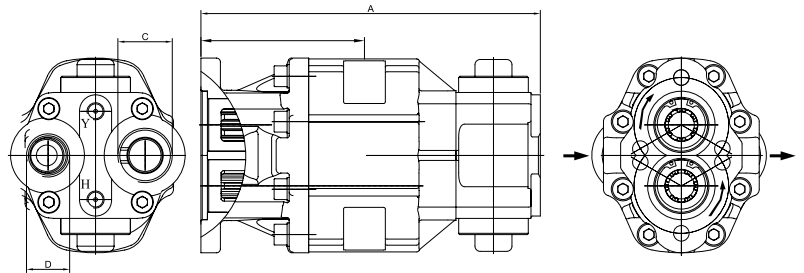
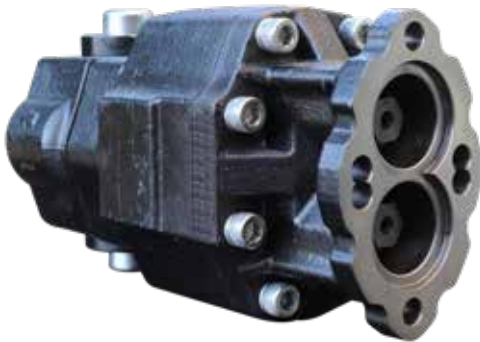
GP T2



PRODUCT TYPE	PRODUCT CODE	A (mm)	B (mm)	OIL INLET	OIL OUTLET	DISPLACEMENT	WORKING PRESSURE	MAX. INTERMITTENT PRESSURE	MAX. CONTINUOUS SPEED	MAX. SPEED AT INTERMIT PRESSURE	WEIGHT
GP 30/43 T2	21113004393	176,5	110	R 1"	R 3/4"	43 cm <sup>3</sup> /rev	200 bar	260 bar	1500 rpm.	2500 rpm.	12 kg
GP 30/61 T2	21113006193	186,5	116	R 1 1/4"	R 1"	58 cm <sup>3</sup> /rev	200 bar	250 bar	1500 rpm.	2000 rpm.	13 kg
GP 30/82 T2	21113008293	204,5	126	R 1 1/4"	R 1"	85 cm <sup>3</sup> /rev	190 bar	250 bar	1400 rpm.	1800 rpm.	14 kg
GP 40/87 T2	21143009293	201,5	126,5	R 1 1/4"	R 1"	87 cm <sup>3</sup> /rev	200 bar	250 bar	1400 rpm.	2500 rpm.	17 kg
GP 40/109 T2	21144009293	209,5	209,5	R 1 1/4"	R 1"	108 cm <sup>3</sup> /rev	200 bar	250 bar	1400 rpm.	2500 rpm.	21 kg
GP 40/133 T2	21144010993	216,5	137,5	R 1 1/4"	R 1"	127 cm <sup>3</sup> /rev	190 bar	240 bar	1300 rpm.	2400 rpm.	22 kg

## T2 GEAR PUMP WITH PNEUMATIC VALVE

GP KV T2

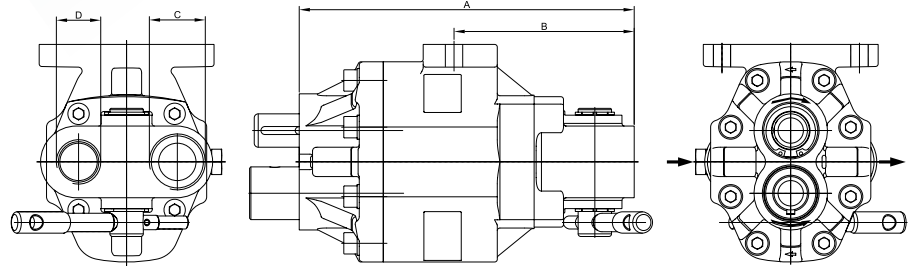


PRODUCT TYPE	PRODUCT CODE	A (mm)	B (mm)	OIL INLET	OIL OUTLET	DISPLACEMENT	WORKING PRESSURE	MAX. INTERMITTENT PRESSURE	MAX. CONTINUOUS SPEED	MAX. SPEED AT INTERMIT PRESSURE	WEIGHT
GP 30/82 KV T2	21123008293	261,5	-	R 1 1/4"	R 1"	85 cm <sup>3</sup> /rev	190 bar	250 bar	1400 rpm.	1800 rpm.	17 kg



**BI-ROTATIONAL GEAR PUMP WITH MECHANICAL VALVE**

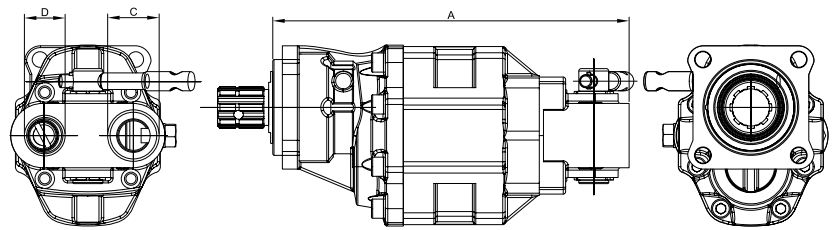
GP MV



PRODUCT TYPE	PRODUCT CODE	A (mm)	B (mm)	OIL INLET	OIL OUTLET	DISPLACEMENT	WORKING PRESSURE	MAX. INTERMITTENT PRESSURE	MAX. CONTINUOUS SPEED	MAX. SPEED AT INTERMIT PRESSURE	WEIGHT
GP 30/43 MV	21133004303	225	132	R 1 1/4"	R 1"	43 cm <sup>3</sup> /rev	190 bar	250 bar	1400 rpm.	1800 rpm.	17 kg
GP 30/61 MV	21133006103	235	130,5	R 1 1/4"	R 1"	58 cm <sup>3</sup> /rev	190 bar	250 bar	1400 rpm.	1800 rpm.	18,5 kg
GP 30/82 MV	21133008203	251	135	R 1 1/4"	R 1"	85 cm <sup>3</sup> /rev	190 bar	250 bar	1400 rpm.	1800 rpm.	20 kg
GP 40/109 MV	21134010903	251	135	R 1 1/4"	R 1"	108 cm <sup>3</sup> /rev	200 bar	250 bar	1400 rpm.	1800 rpm.	20 kg

**ISO GEAR PUMP WITH MECHANICAL VALVE**

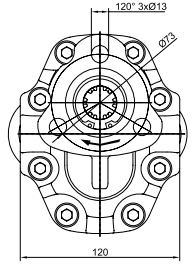
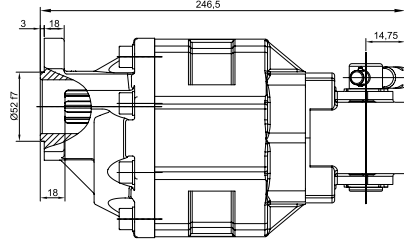
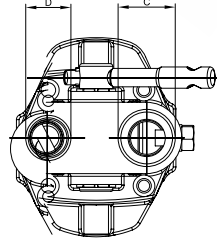
GP MV ISO



PRODUCT TYPE	PRODUCT CODE RIGHT	PRODUCT CODE LEFT	A (mm)	OIL INLET	OIL OUTLET	DISPLACEMENT	WORKING PRESSURE	MAX. INTERMITTENT PRESSURE	MAX. CONTINUOUS SPEED	MAX. SPEED AT INTERMIT PRESSURE	WEIGHT
GP 30/43 MV ISO	21133004371	21133004372	271	R 1 1/4"	R 1"	43 cm <sup>3</sup> /rev	190 bar	250 bar	1400 rpm.	1800 rpm.	17 kg
GP 30/61 MV ISO	21133006171	21133006172	281	R 1 1/4"	R 1"	58 cm <sup>3</sup> /rev	190 bar	250 bar	1400 rpm.	1800 rpm.	18,5 kg
GP 30/82 MV ISO	21133008271	21133008272	297	R 1 1/4"	R 1"	85 cm <sup>3</sup> /rev	190 bar	250 bar	1400 rpm.	1800 rpm.	20 kg
GP 40/109 MV ISO	21134010971	21134010972	306	R 1 1/4"	R 1"	108 cm <sup>3</sup> /rev	200 bar	250 bar	1400 rpm.	1800 rpm.	20 kg

## UNI GEAR PUMP WITH MECHANICAL VALVE

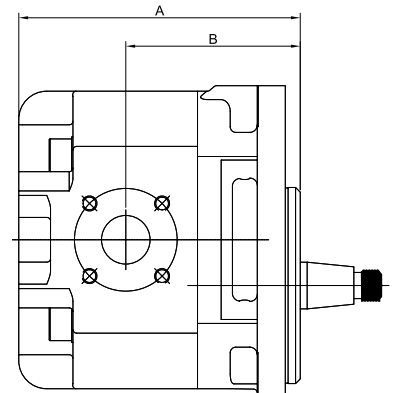
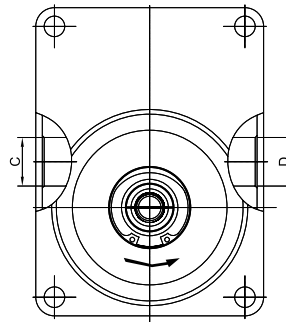
GP MV UNI



PRODUCT TYPE	PRODUCT CODE RIGHT	PRODUCT CODE LEFT	A (mm)	OIL INLET	OIL OUTLET	DISPLACEMENT	WORKING PRESSURE	MAX. INTERMITTENT PRESSURE	MAX. CONTINUOUS SPEED	MAX. SPEED AT INTERMIT PRESSURE	WEIGHT
GP 30/43 MV UNI	21133004381	21133004382	248	R 1 1/4"	R 1"	43 cm <sup>3</sup> /rev	190 bar	250 bar	1400 rpm.	1800 rpm.	14 kg
GP 30/61 MV UNI	21133006181	21133006182	258	R 1 1/4"	R 1"	58 cm <sup>3</sup> /rev	190 bar	250 bar	1400 rpm.	1800 rpm.	17 kg
GP 30/82 MV UNI	21133008281	21133008282	274	R 1 1/4"	R 1"	85 cm <sup>3</sup> /rev	190 bar	250 bar	1400 rpm.	1800 rpm.	18 kg
GP 40/109 MV UNI	21134010981	21134010982	283	R 1 1/4"	R 1"	108 cm <sup>3</sup> /rev	200 bar	250 bar	1400 rpm.	1800 rpm.	19 kg

## GEAR PUMP

GP K ISO

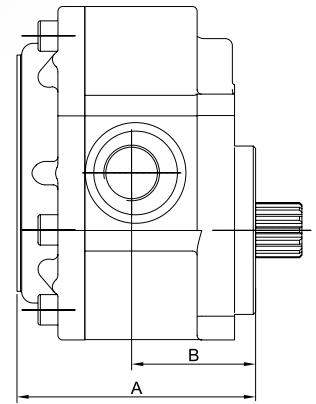
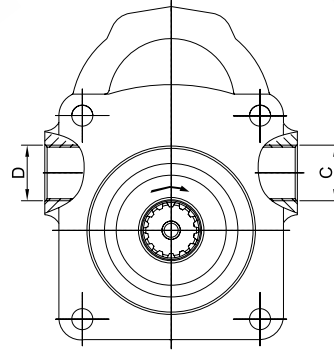


PRODUCT TYPE	PRODUCT CODE	A (mm)	B (mm)	C (mm)	D (mm)	DISPLACEMENT	WORKING PRESSURE	MAX. INTERMITTENT PRESSURE	MAX. CONTINUOUS SPEED	MAX. SPEED AT INTERMIT PRESSURE	WEIGHT
GP 30/40 K ISO	21153004071	150,7	93,4	26	26	34 cm <sup>3</sup> /rev	200 bar	260 bar	1400 rpm.	2500 rpm.	15 kg
GP 30/50 K ISO	21153005071	150,7	93,4	26	26	43 cm <sup>3</sup> /rev	200 bar	260 bar	1400 rpm.	2500 rpm.	15 kg



**GEAR PUMP**

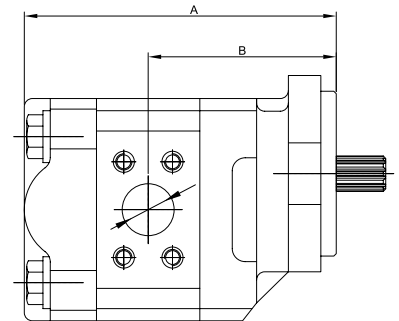
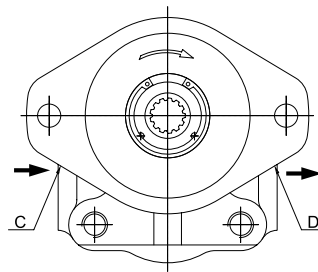
GP



PRODUCT TYPE	PRODUCT CODE	A (mm)	B (mm)	C (mm)	D (mm)	DISPLACEMENT	WORKING PRESSURE	MAX. INTERMITTENT PRESSURE	MAX. CONTINUOUS SPEED	MAX. SPEED AT INTERMIT PRESSURE	WEIGHT
GP 25/20	21152502071	102	53	24	24	45 cm <sup>3</sup> /rev	50 bar	75 bar	1500 rpm.	2000 rpm.	6 kg

**GEAR PUMP**

GP COM 01

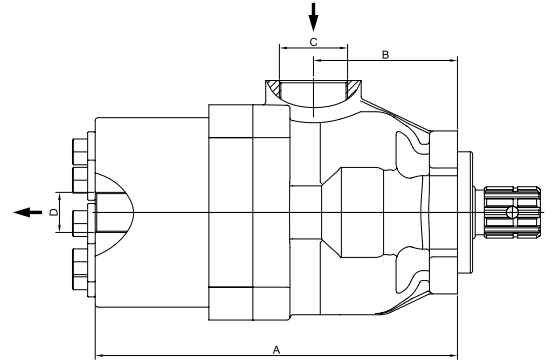
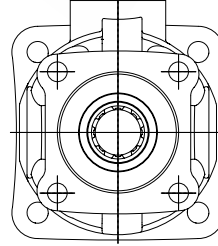


PRODUCT TYPE	PRODUCT CODE	A (mm)	B (mm)	C (mm)	D (mm)	DISPLACEMENT	WORKING PRESSURE	MAX. INTERMITTENT PRESSURE	MAX. CONTINUOUS SPEED	MAX. SPEED AT INTERMIT PRESSURE	WEIGHT
GP COM 01	21152505871	193	116	39	39	58 cm <sup>3</sup> /rev	200 bar	250 bar	1500 rpm.	2000 rpm.	17 kg



## PISTON PUMP

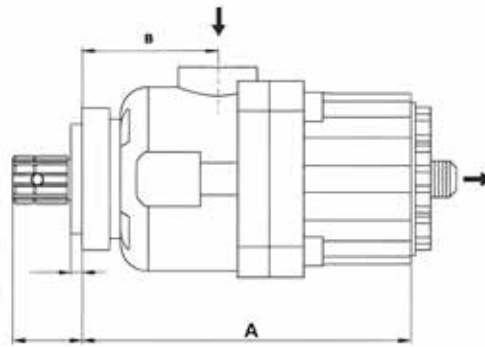
PP 03



PRODUCT TYPE	PRODUCT CODE	A (mm)	B (mm)	C (mm)	OIL OUTLET D (mm)	DISPLACEMENT	WORKING PRESSURE	MAX. INTERMITTENT PRESSURE	MAX. CONTINUOUS SPEED	MAX. SPEED AT INTERMIT PRESSURE	WEIGHT
PP 25/08/070	21210807073	249	105	45x2	R 3/4"	76 cm <sup>3</sup> /rev	250 bar	300 bar	900 rpm.	1300 rpm.	19 kg
PP 25/09/080	21210908073	249	105	45x2	R 3/4"	85 cm <sup>3</sup> /rev	250 bar	300 bar	900 rpm.	1300 rpm.	20 kg
PP 25/09/090	21210909073	249	105	45x2	R 3/4"	92 cm <sup>3</sup> /rev	250 bar	300 bar	900 rpm.	1300 rpm.	20 kg
PP 25/10/102	21211010273	249	105	45x2	R 3/4"	95 cm <sup>3</sup> /rev	250 bar	300 bar	900 rpm.	1300 rpm.	21 kg

## PISTON PUMP

PP 04

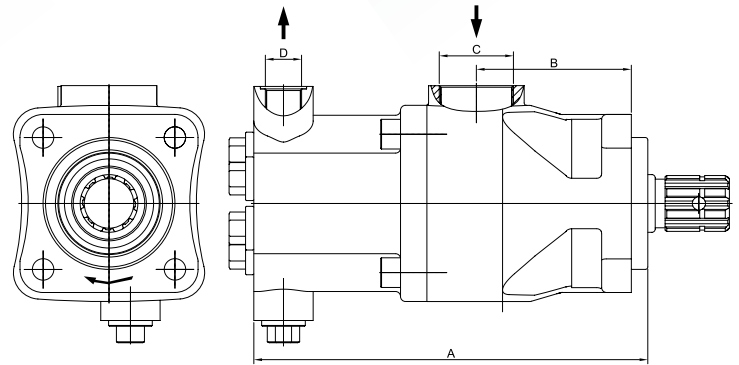


PRODUCT TYPE	PRODUCT CODE	A (mm)	B (mm)	OIL INLET	OIL OUTLET	DISPLACEMENT	WORKING PRESSURE	MAX. INTERMITTENT PRESSURE	MAX. CONTINUOUS SPEED	MAX. SPEED AT INTERMIT PRESSURE	WEIGHT
PP 22/03/013	21220301363	265,5	56,5	R 1 1/4"	R 1/2"	13 cm <sup>3</sup> /rev	350 bar	400 bar	1500 rpm.	1800 rpm.	12 kg
PP 22/03/015	21220301563	265,5	56,5	R 1 1/4"	R 1/2"	15 cm <sup>3</sup> /rev	350 bar	400 bar	1500 rpm.	1800 rpm.	12 kg
PP 22/03/017	21220301763	265,5	56,5	R 1 1/4"	R 1/2"	17 cm <sup>3</sup> /rev	350 bar	400 bar	1500 rpm.	1800 rpm.	12 kg



**PISTON PUMP**

PP 02

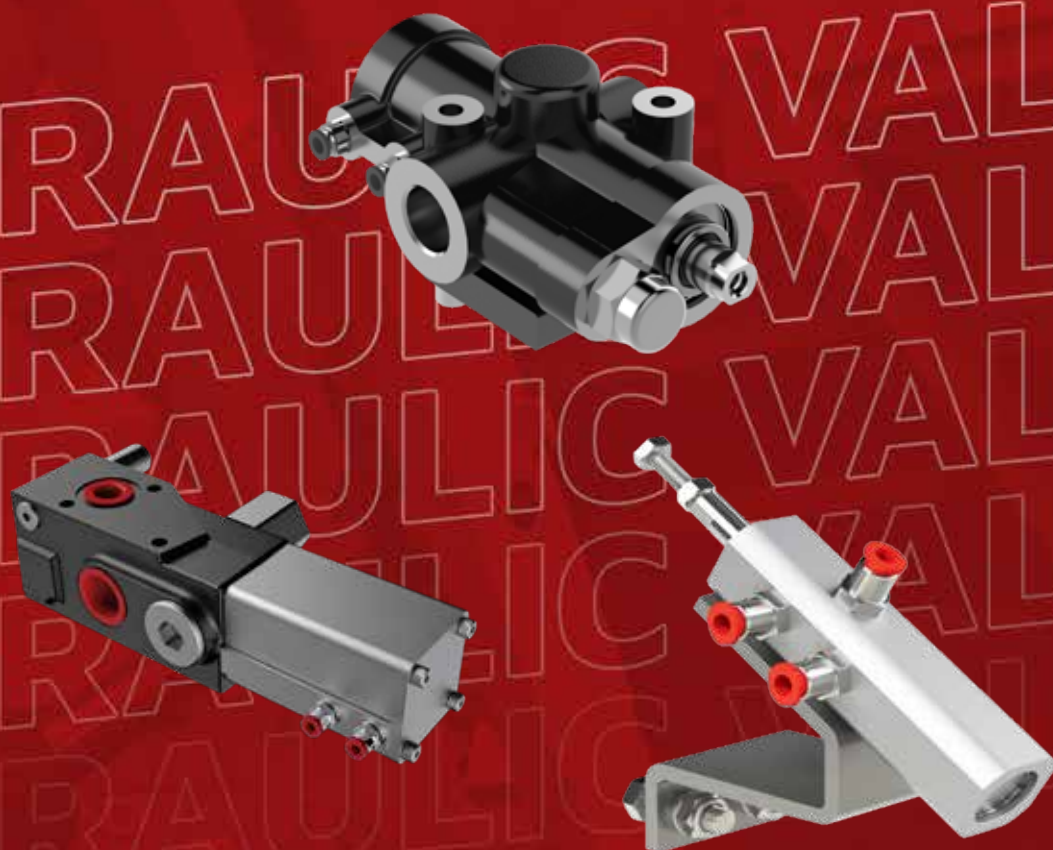


PRODUCT TYPE	PRODUCT CODE	A (mm)	B (mm)	C (mm)	OIL OUTLET D (mm)	DISPLACEMENT	WORKING PRESSURE	MAX. INTERMITTENT PRESSURE	MAX. CONTINUOUS SPEED	MAX. SPEED AT INTERMIT PRESSURE	WEIGHT
PP 25/05/030	21210503073	229	94	45x2	22x1,5	33 cm <sup>3</sup> /rev	250 bar	300 bar	900 rpm.	1300 rpm.	14 kg
PP 25/06/040	21210604073	229	94	45x2	22x1,5	40 cm <sup>3</sup> /rev	250 bar	300 bar	900 rpm.	1300 rpm.	15 KG



# HYDRAULIC VALVES

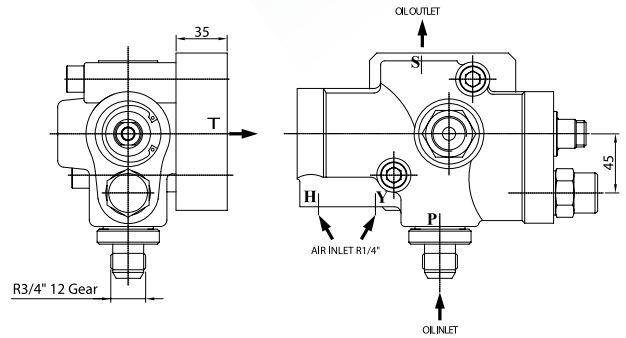
## *Section*



**Hydraulic**

## MOUNTING TIPPING VALVE ON TANK

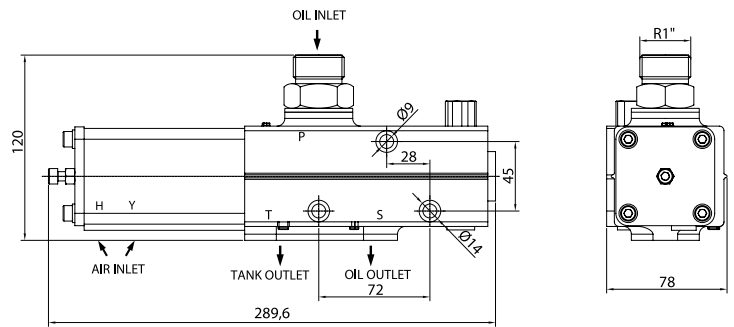
YDV 05



PRODUCT TYPE	PRODUCT CODE	CYLINDER CONNECTION	PUMP CONNECTION	FAST LOWER	SLOW LOWER	MAX.WORKING PRESSURE	MAX. FLOW	OIL TEMP. RANGE	WEIGHT
YDV 05	23802005	R 3/4"	R 1"	R 1/4"	R 1/4"	190 bar	140 L/M	-20 & 80 °C	8 kg

## TIPPING VALVE

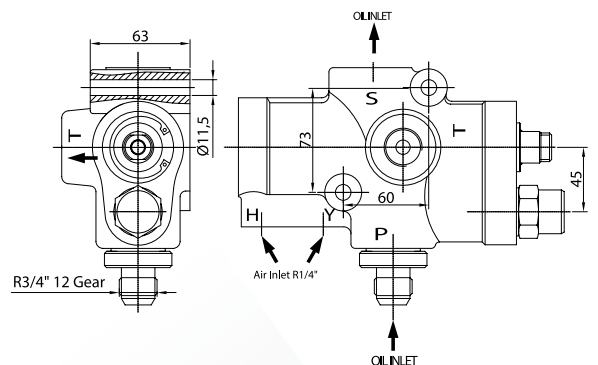
YDV 07



PRODUCT TYPE	PRODUCT CODE	CYLINDER CONNECTION	PUMP CONNECTION	TANK CONNECTION	CYLINDER TIPPING	CYLINDER LOWERING	MAX.WORKING PRESSURE	MAX. FLOW	OIL TEMP. RANGE	WEIGHT
YDV 07	23802007	R 1"	R 1"	R 1"	R 1/8"	R 1/8"	190 bar	220 L/M	-20 & 80 °C	6,5 kg

## TIPPING VALVE

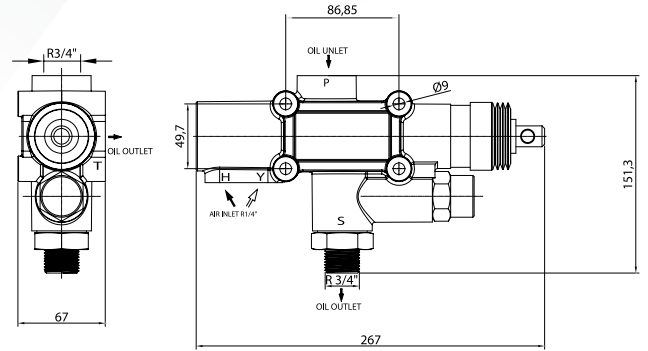
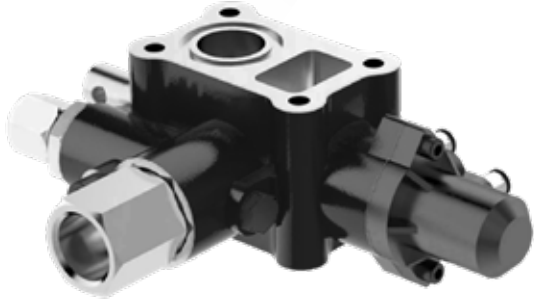
YDV



PRODUCT TYPE	PRODUCT CODE	CYLINDER CONNECTION	PUMP CONNECTION	TANK CONNECTION	FAST LOWER	SLOW LOWER	MAX.WORKING PRESSURE	MAX. FLOW	OIL TEMP. RANGE	WEIGHT
YDV 01	23802001	R 3/4"	R 1"	R 3/4"	R 1/4"	R 1/4"	190 bar	140 L/M	-20 & 80 °C	7 kg
YDV 02	23802002	R 1"	R 1"	R 1"	R 1/4"	R 1/4"	190 bar	140 L/M	-20 & 80 °C	7 kg
YDV 03	23802003	R 3/4"	R 1"	R 3/4"	R 1/4"	R 1/4"	190 bar	140 L/M	-20 & 80 °C	7 kg

## MOUNTING TIPPING VALVE ON TANK

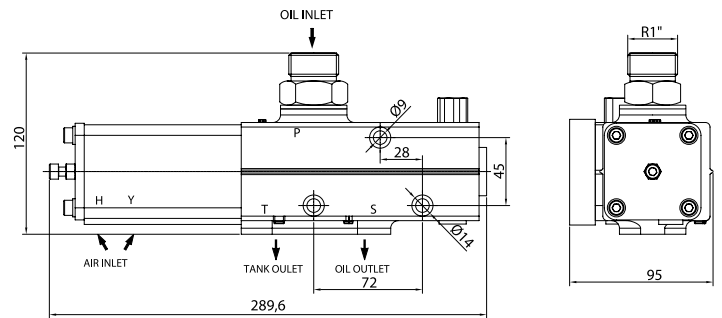
YDV 10



PRODUCT TYPE	PRODUCT CODE	CYLINDER CONNECTION	PUMP CONNECTION	TANK CONNECTION	CYLINDER TIPPING	CYLINDER LOWERING	MAX.WORKING PRESSURE	MAX. FLOW	OIL TEMP. RANGE	WEIGHT
YDV 10	23802010	R 3/4"	R 3/4"	R 3/4"	R 1/4"	R 1/4"	190 bar	140 L/M	-20 & 80 °C	4,6 kg

## MOUNTING TIPPING VALVE ON TANK

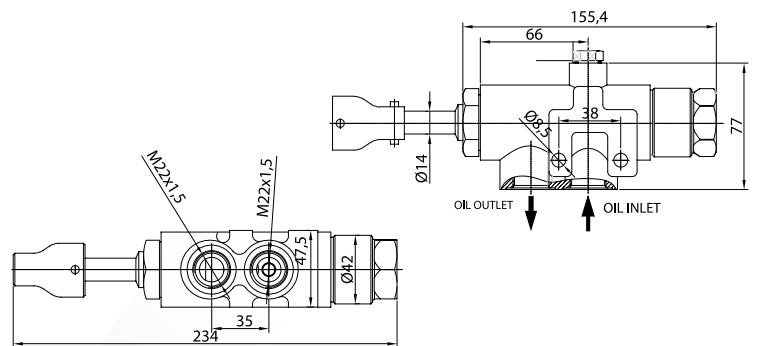
YDV 11



PRODUCT TYPE	PRODUCT CODE	CYLINDER CONNECTION	PUMP CONNECTION	TANK CONNECTION	CYLINDER TIPPING	CYLINDER LOWERING	MAX.WORKING PRESSURE	MAX. FLOW	OIL TEMP. RANGE	WEIGHT
YDV 11	23802011	R 1"	R 1"	R 1"	R 1/8"	R 1/8"	190 bar	220 L/M	-20 & 80 °C	7,5 kg

## MECHANICAL TIPPING VALVE

MYV 01

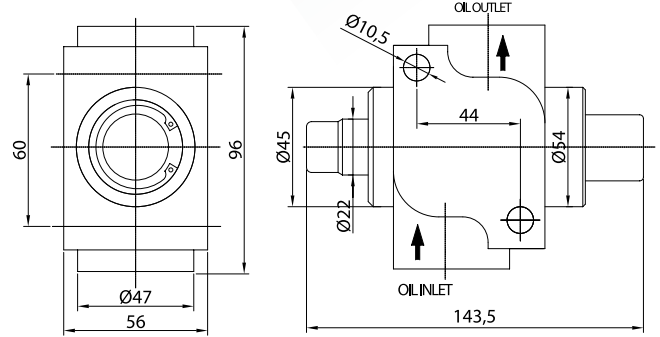


PRODUCT TYPE	PRODUCT CODE	OIL INLET	OIL OUTLET	MAX. FLOW	OIL TEMP. RANGE	WEIGHT
MYV 01	23702001	M22x1,5	M22x1,5	140 L/M	-20 & 80 °C	2 kg



## END-OF STROKE VALVE

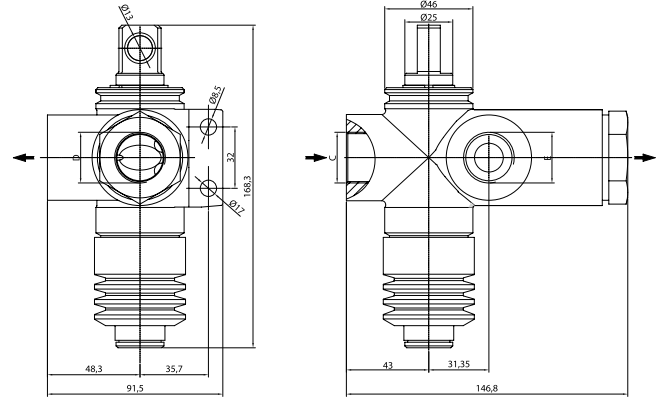
SKV 01



PRODUCT TYPE	PRODUCT CODE	OIL INLET	OIL OUTLET	MAX.WORKING PRESSURE	MAX. FLOW	OIL TEMP. RANGE	WEIGHT
SKV 01	23902001	R 3/4"	R 3/4"	190 bar	140 L/M	-20 & 80 °C	2 kg

## TIPPING VALVE FOR TRAILER AND TRUCK

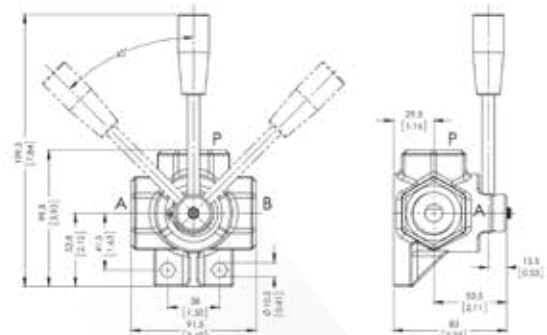
SKV 02



PRODUCT TYPE	PRODUCT CODE	OIL INLET (C)	OIL OUTLET (D)	OIL OUTLET (E)	MAX.WORKING PRESSURE	MAX. FLOW	OIL TEMP. RANGE	WEIGHT
SKV 02	23902002	R 3/4"	R 3/4"	R 3/4"	190 bar	140 L/M	-20 & 80 °C	2,5 kg

## DIVERTER VALVE -3WAY MANUEL

KVN 01

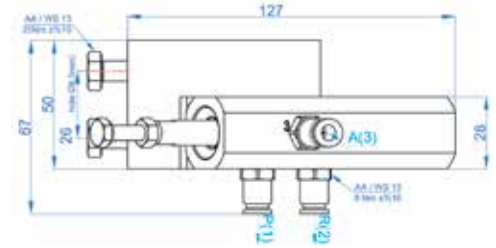
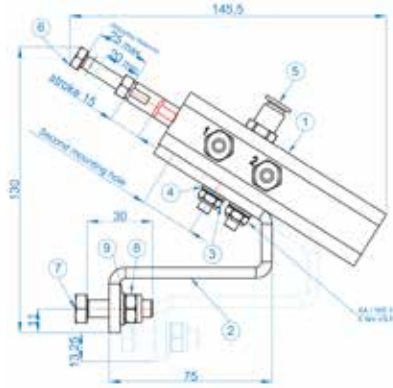


PRODUCT TYPE	PRODUCT CODE	PRODUCT NAME
KVN 01	2352001	DIVERTER VALVE 3-WAY MANUEL 3/4



## PNEUMATIC END OF STROKE VALVE

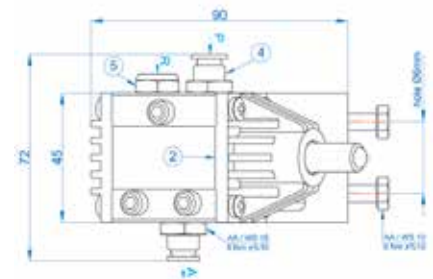
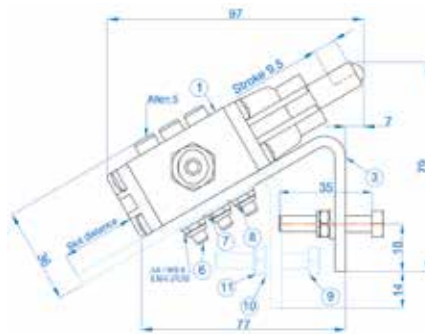
SKV 03



PRODUCT TYPE	PRODUCT CODE	AIR INLET 1-3	AIR OUTLET 2	MAX. WORKING PRESSURE	OIL TEMP. RANGE	WEIGHT
SKV 03	23902003	G 1/8"	G 1/8"	12 BAR	-20 & 80 °C	0,3 kg

## PNEUMATIC END-OF STROKE VALVE

SKV 04



PRODUCT TYPE	PRODUCT CODE	MAX. AIR PRESSURE	WORKING TEMP.	CONNECTION	WEIGHT
AKO 02	36001534	10 bar	-20 / +80 °C	Air hose 6x4	0,42 kg



# HYDRAULIC PTO

## *Section*

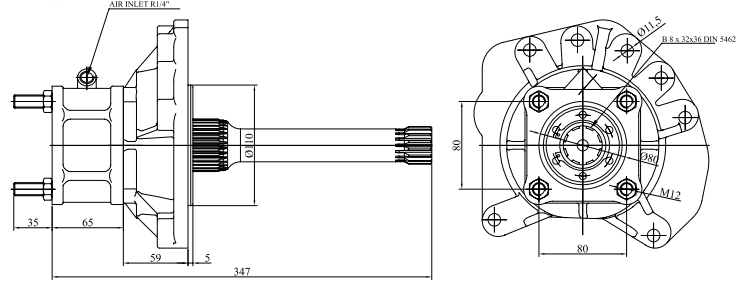
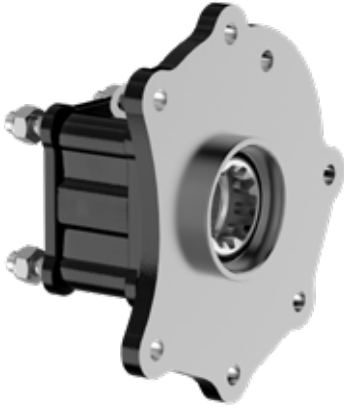


**Hydraulic**



## POWER TAKE-OFF

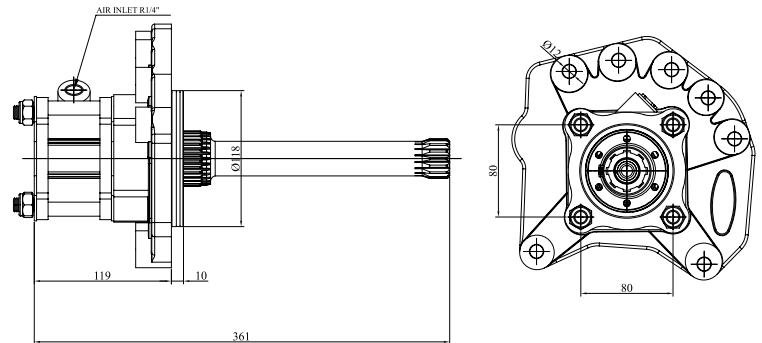
### AC PTO 01



PRODUCT TYPE	PRODUCT CODE	TORK	POWER	RATIO	ROTATION	MOUNTING TYPE	CONTROL TYPE	TOOLS USED İN	WEIGHT
AC PTO 01	24511001	57 kgm	25,7 kw	1/1	LEFT	REAR	PNEUMATIC	1528-1823-1828-1924-2523-2528-2623-2628-2832-3224-3228-AXOR 1223-1323-1328-1523-1828-2528-2628 ATEGO	11,3 kg

## POWER TAKE-OFF

### AC PTO 02

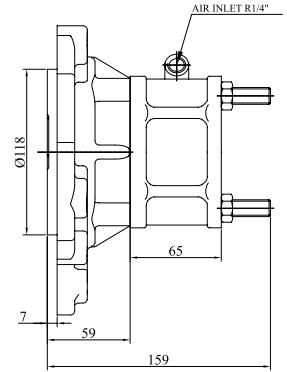
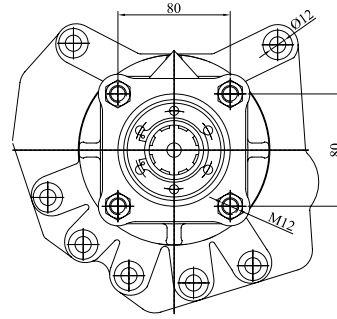
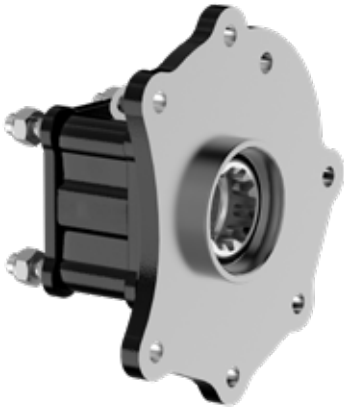


PRODUCT TYPE	PRODUCT CODE	TORK	POWER	RATIO	ROTATION	MOUNTING TYPE	CONTROL TYPE	TOOLS USED İN	WEIGHT
AC PTO 02	24511002	57 kgm	25,7 kw	1/1	LEFT	REAR	PNEUMATIC	1729-1735-1827-1834-1838-1929-1935-2038-2429-2435-2527-2531-2534-2629-2631-2635-2638-3229-3234-3534-3535-1831-1835-1840-1844-1848-1850-1857-1934-1938-1953-2044-2050-2544-2550-2643-2644-2650-3031-3234-3331-3348-4148-3335-3336-3235-3340-2031-2040-2648-3548-3553-3557-3538 ACTROS MERCEDES	10,8 kg



## POWER TAKE-OFF

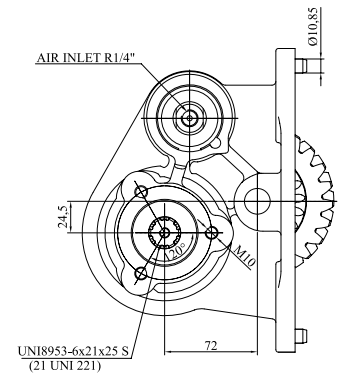
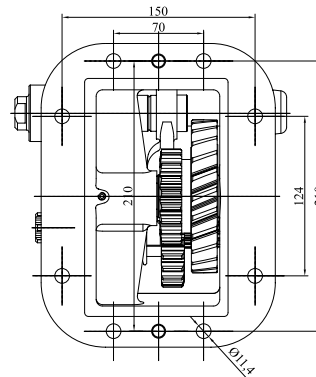
### AC PTO 03



PRODUCT TYPE	PRODUCT CODE	TORK	POWER	RATIO	ROTATION	MOUNTING TYPE	CONTROL TYPE	TOOLS USED İN	WEIGHT
AC PTO 03	24511003	57 kgm	25,7 kw	1/1	LEFT	REAR	PNEUMATIC	1528-1823-1828-1924-2523-2528-2623-2628 -2832-3224-3228-AXOR 1223-1323-1328-1523-1828-2528-2628 ATEGO	11 kg

## GR 900 POWER TAKE-OFF

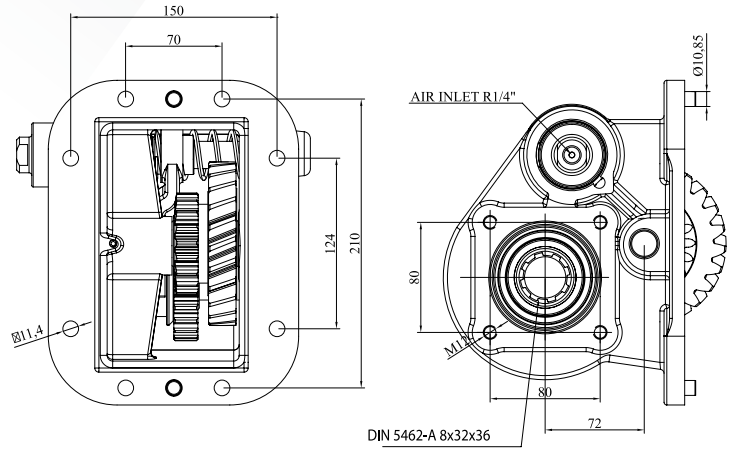
### PTO GR 01



PRODUCT TYPE	PRODUCT CODE	TORK	POWER	RATIO	ROTATION	MOUNTING TYPE	CONTROL TYPE	TOOLS USED İN	WEIGHT
PTO GR 01	24531001	35 kgm	21 kw	1/1	LEFT	REAR	PNEUMATIC	1729-1735-1827-1834-1838-1929-1935-2038- 2429-2435-2527-2531-2534-2629-2631-2635- 2638-3229-3234-3534-3535-1831-1835-1840- 1844-1848-1850-1857-1934-1938-1953-2044- 2050-2544-2550-2643-2644-2650-3031-3234- 3331-3348-4148-3335-3336-3235-3340-2031- 2040-2648-3548-3553-3557-3538 ACTROS MERCEDES	18 kg

## GR 900 POWER TAKE-OFF

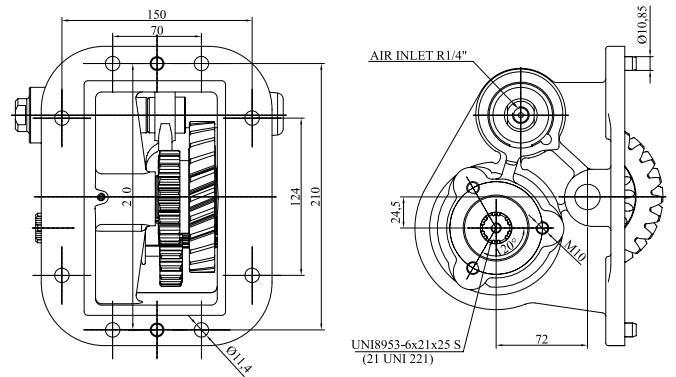
PTO GR 02



PRODUCT TYPE	PRODUCT CODE	TORK	POWER	RATIO	ROTATION	MOUNTING TYPE	CONTROL TYPE	TOOLS USED IN	WEIGHT
PTO GR 02	24531004	35 kgm	21 kw	1/1,357	RIGHT	SIDE	PNEUMATIC	94C310-124C360-R124G360-143H450CV -143M400CV-260H-143HP113M-P 114-GA380-114P-124R-113P-114R-113H360	18 kg

## GRS 900 POWER TAKE-OFF

PTO GRS 01

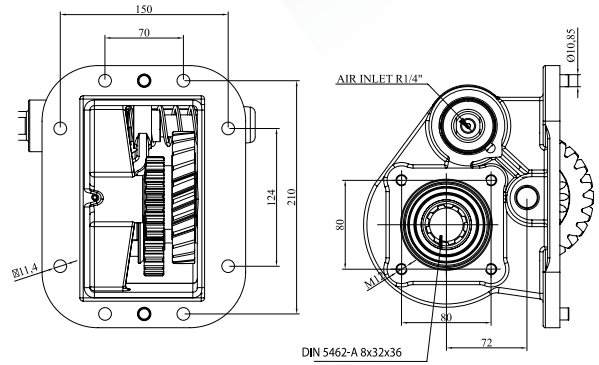


PRODUCT TYPE	PRODUCT CODE	TORK	POWER	RATIO	ROTATION	MOUNTING TYPE	CONTROL TYPE	TOOLS USED IN	WEIGHT
PTO GRS 01	24531002	35 kgm	21 kw	1/1,357	RIGHT	SIDE	PNEUMATIC	124 G 420-113-124 L 400-144 L 530-124 LA 420- 144 LA 460 144 LA 530-R124 LA 420 R124 GA 420-143H-143M-143.400-143.450 143.500-R580-R124GA/CB-R164 GA SCANIA	18 kg



## GRS 900 POWER TAKE-OFF

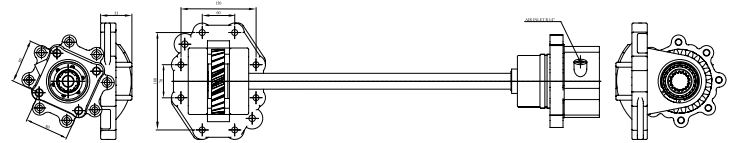
### PTO GRS 02



PRODUCT TYPE	PRODUCT CODE	TORK	POWER	RATIO	ROTATION	MOUNTING TYPE	CONTROL TYPE	TOOLS USED IN	WEIGHT
PTO GRS 02	24531003	35 kgm	21 kw	1/1,357	RIGHT	SIDE	PNEUMATIC	124 G 420-113-124 L 400-144 L 530-124 LA 420-144 LA 460 - 144 LA 530-R124 LA 420 R124 GA 420-143H-143M-143.400-143.450 143.500-R580-R124GA/CB-R164 GA SCANIA	18 kg

## SCANIA GRS 905 POWER TAKE-OFF

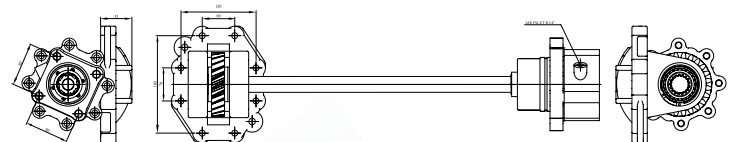
### PTO GRS 03



PRODUCT TYPE	PRODUCT CODE	TORK	POWER	RATIO	ROTATION	MOUNTING TYPE	CONTROL TYPE	TOOLS USED IN	WEIGHT
PTO GRS 03	24531005	44,8 kgm	42,4 kw	1/1	LEFT	REAR	PNEUMATIC	R420-HG420-HG380	23,5 kg

## SCANIA GRS O 905 POWER TAKE-OFF

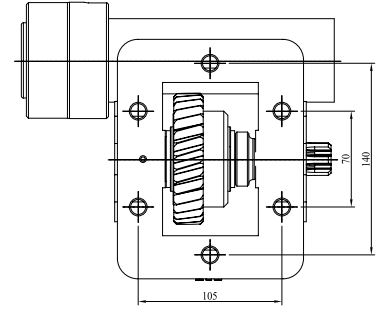
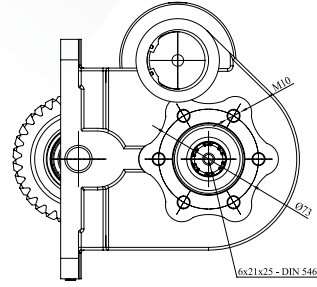
### PTO GRS 04



PRODUCT TYPE	PRODUCT CODE	TORK	POWER	RATIO	ROTATION	MOUNTING TYPE	CONTROL TYPE	TOOLS USED IN	WEIGHT
PTO GRS 04	24531006	44,8 kgm	42,4 kw	1/1	LEFT	REAR	PNEUMATIC	R420/G420 SCANIA	23,5 kg

## HYUNDAI HD 75 EURO 4 VACUUM POWER TAKE-OFF (6 SPEED)

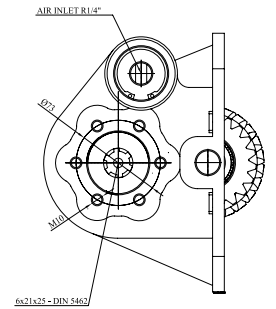
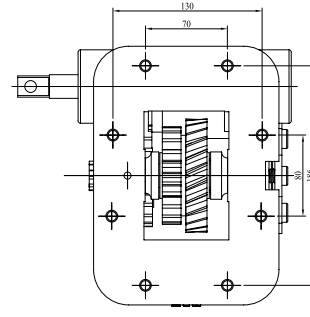
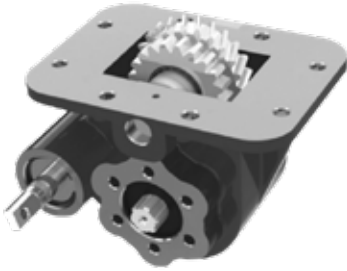
PTO HYN 01



PRODUCT TYPE	PRODUCT CODE	TORK	POWER	RATIO	ROTATION	MOUNTING TYPE	CONTROL TYPE	TOOLS USED İN	WEIGHT
PTO HYN 01	24591001	24 kgm	8,5 kw	1/1	RIGHT	LEFT SIDE	VACUUM	HD 75EURO4	9,5 kg

## ISUZU MBP 6P MK POWER TAKE-OFF

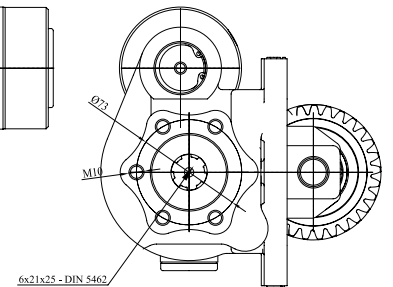
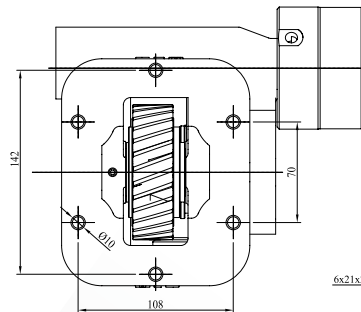
PTO ISZ 01



PRODUCT TYPE	PRODUCT CODE	TORK	POWER	RATIO	ROTATION	MOUNTING TYPE	CONTROL TYPE	TOOLS USED İN	WEIGHT
PTO ISZ 01	24541001	18 kgm	10,6 kw	1/0,95	RIGHT	LEFT SIDE	MECHANIC	NQR4.8 TURBO ISUZU/NQR 70P/FSR/LM524	13 kg

## ISUZU MXA 5R VACUUM POWER TAKE-OFF

PTO ISZ 02

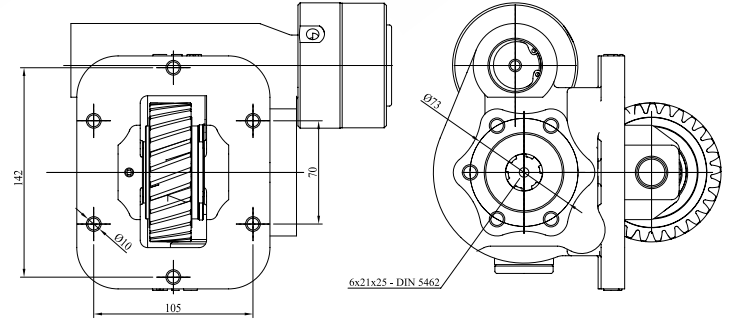


PRODUCT TYPE	PRODUCT CODE	TORK	POWER	RATIO	ROTATION	MOUNTING TYPE	CONTROL TYPE	TOOLS USED İN	WEIGHT
PTO ISZ 02	24541002	18,3 kgm	11,2 kw	1/1,36	RIGHT	LEFT SIDE	VACUUM	NKR WIDE LX 100 HP-4.3 NPR CHAMPION ISUZU / 3.2 NPR ISUZU 3.2 NPR ISUZU NPR 66 / NHR 70 / NKR 66 / NKR 66E / NPR 66P / NPR 300-400-400S FRR500 / ISUZU ELF 250	11 kg



## ISUZU MOY CR VACUUM POWER TAKE-OFF

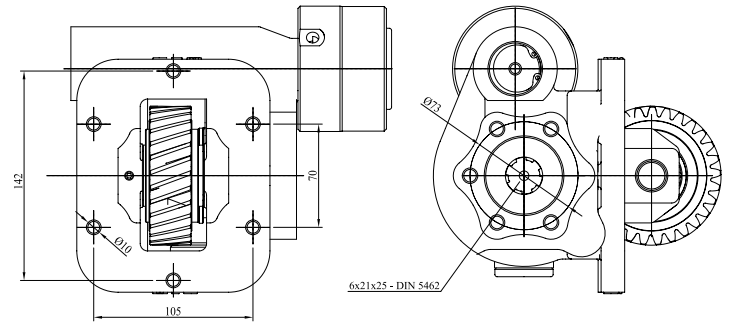
PTO ISZ 03



PRODUCT TYPE	PRODUCT CODE	TORK	POWER	RATIO	ROTATION	MOUNTING TYPE	CONTROL TYPE	TOOLS USED IN	WEIGHT
PTO ISZ 03	24541003	23 kgm	22 kw	1/1,03	RIGHT	LEFT SIDE	VACUUM	4.3 NPR66-71-75-77 ISUZU CHAMPION (2005-2006)/NKR250/NPR250 NKR66 E2L	14 kg

## ISUZU MSA 5P VACUUM POWER TAKE-OFF

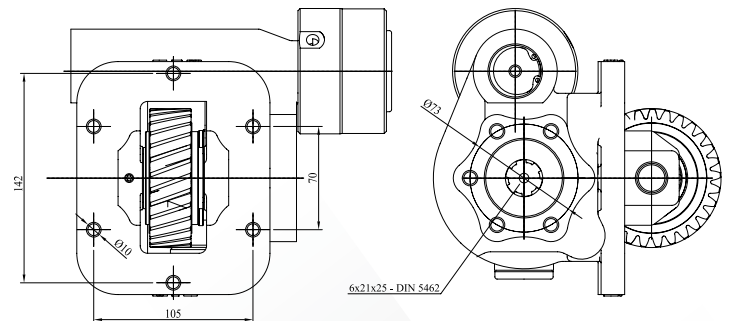
PTO ISZ 04



PRODUCT TYPE	PRODUCT CODE	TORK	POWER	RATIO	ROTATION	MOUNTING TYPE	CONTROL TYPE	TOOLS USED IN	WEIGHT
PTO ISZ 04	24541004	18,2 kgm	11,2 kw	1/1,31	RIGHT	LEFT SIDE	VACUUM	KS11-KS20-KS21-KS32-8.8 WIDE DIESEL-NKR 55L/3.3 IRAN ISUZU NKR-NHR-NPR3.6/3.9 ISUZU HVC SAH1063 (LC5T30)	12 kg

## ISUZU MSB 5S VACUUM POWER TAKE-OFF

PTO ISZ 05

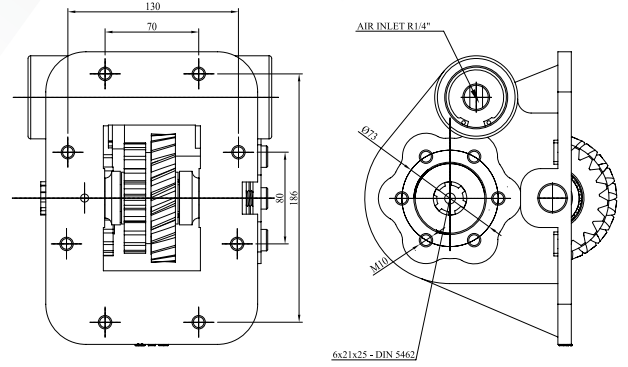
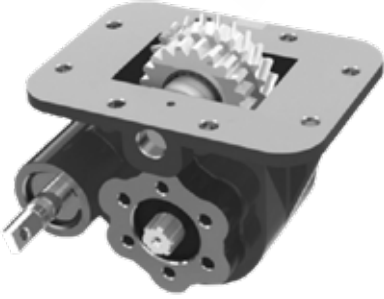


PRODUCT TYPE	PRODUCT CODE	TORK	POWER	RATIO	ROTATION	MOUNTING TYPE	CONTROL TYPE	TOOLS USED IN	WEIGHT
PTO ISZ 05	24541005	16,6 kgm	10,5 kw	1/1,34	RIGHT	LEFT SIDE	VACUUM	NKR 2.8 ISUZU LOW/NKR 55 LOW/NHR 55E/CARRIER 250T	12 kg



## ISUZU MBP 6P PK POWER TAKE-OFF

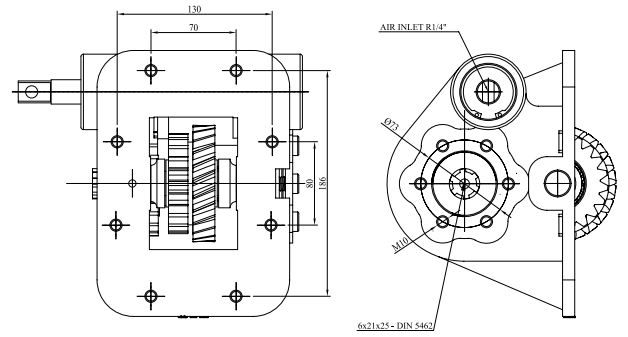
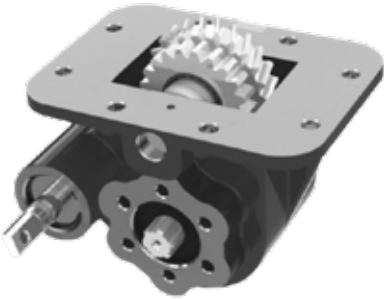
PTO ISZ 06



PRODUCT TYPE	PRODUCT CODE	TORK	POWER	RATIO	ROTATION	MOUNTING TYPE	CONTROL TYPE	TOOLS USED İN	WEIGHT
PTO ISZ 06	24541006	18 kgm	10,6 kw	1/0,95	RIGHT	LEFT SIDE	PNEUMATIC	NQR4.8 3D TURBO ISUZU (2005) /NQR71PL5.2 ISUZU	13 kg

## ISUZU MOZ 06 MK POWER TAKE-OFF

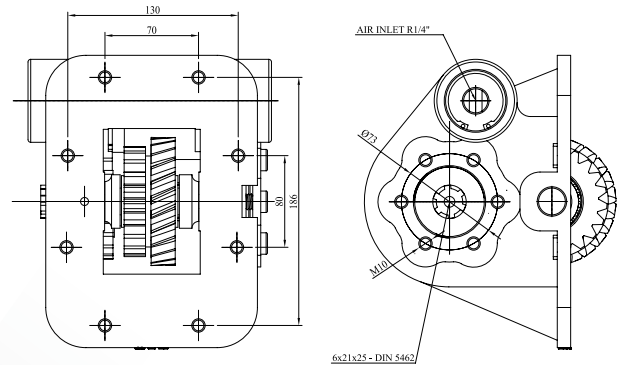
PTO ISZ 07



PRODUCT TYPE	PRODUCT CODE	TORK	POWER	RATIO	ROTATION	MOUNTING TYPE	CONTROL TYPE	TOOLS USED İN	WEIGHT
PTO ISZ 07	24541007	21,6 kgm	20,6 kw	1/0,95	RIGHT	LEFT SIDE	MECHANIC	NQR4.8 TURBO ISUZU/NQR 70P/FSR/LM524	14 kg

## ISUZU MOZ 06 PK POWER TAKE-OFF

PTO ISZ 08

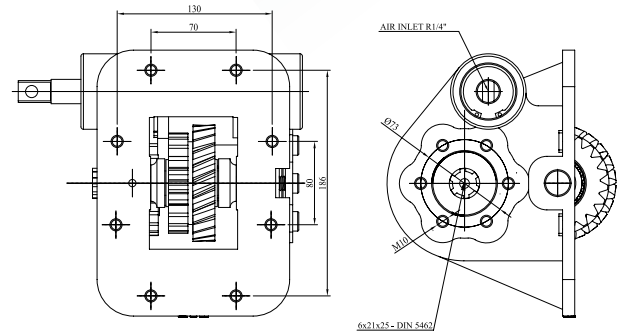


PRODUCT TYPE	PRODUCT CODE	TORK	POWER	RATIO	ROTATION	MOUNTING TYPE	CONTROL TYPE	TOOLS USED İN	WEIGHT
PTO ISZ 08	24541008	21,6 kgm	20,6 kw	1/0,95	RIGHT	LEFT SIDE	PNEUMATIC	NQR4.8 TURBO ISUZU/NQR 70P/FSR/LM524	14 kg



## ISUZU MOZ 79 MK POWER TAKE-OFF

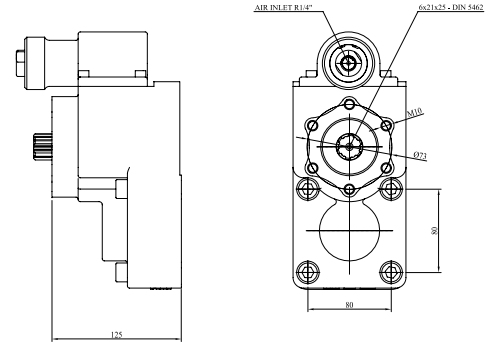
PTO ISZ 09



PRODUCT TYPE	PRODUCT CODE	TORK	POWER	RATIO	ROTATION	MOUNTING TYPE	CONTROL TYPE	TOOLS USED IN	WEIGHT
PTO ISZ 09	24541009	21,6 kgm	20,6 kw	1/0,95	RIGHT	LEFT SIDE	MECHANIC	ISUZU MOZ79	15 kg

## IVECO 2855 POWER TAKE-OFF

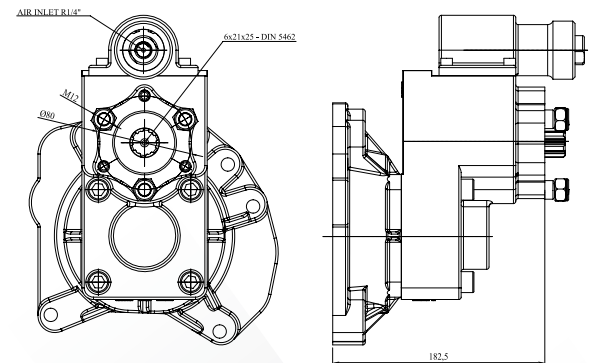
PTO IVC 01



PRODUCT TYPE	PRODUCT CODE	TORK	POWER	RATIO	ROTATION	MOUNTING TYPE	CONTROL TYPE	TOOLS USED IN	WEIGHT
PTO IVC 01	24551001	18,3 kgm	12,5 kw	1/1,12	LEFT	REAR	PNEUMATIC	IVECO 60.10-60.12-75.14-80.12-80.14-85.12-85.14-120.14-140.14-150.14-130E15-150E21-220E21-60.14-65E12-65E14-75.12-75E14-75E15-57E17-75E18-80E18-85E13-85E15-100E15-100E18-130E15-130E18	14 kg

## MERCEDES ATEGO UNI POWER TAKE-OFF (7 PIN)

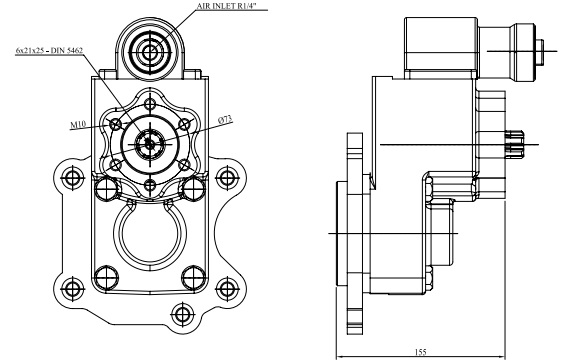
PTO MRC 01



PRODUCT TYPE	PRODUCT CODE	TORK	POWER	RATIO	ROTATION	MOUNTING TYPE	CONTROL TYPE	TOOLS USED IN	WEIGHT
PTO MRC 01	24511006	22,4 kgm	14,9 kw	1/1,12	LEFT	REAR	PNEUMATIC	614-814-815-817-818-823-925-1017-1215-1217-1223-1225-1317-1323-1328-1517-1523-1618-1623-1823 ATEGO	12 kg

## MERCEDES ATEGO UNI POWER TAKE-OFF (6 PIN)

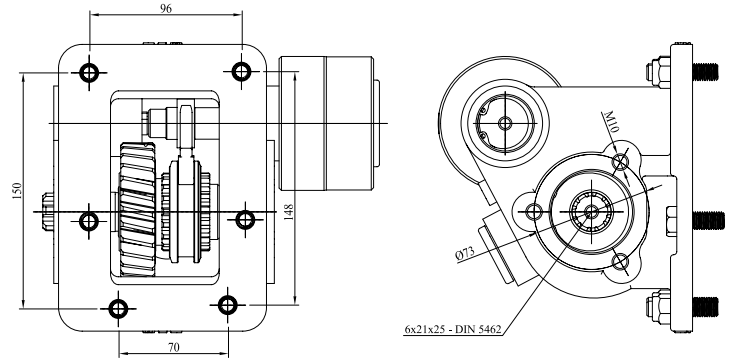
PTO MRC 02



PRODUCT TYPE	PRODUCT CODE	TORK	POWER	RATIO	ROTATION	MOUNTING TYPE	CONTROL TYPE	TOOLS USED İN	WEIGHT
PTO MRC 02	24511007	22,4 kgm	14,9 kw	1/1,12	LEFT	REAR	PNEUMATIC	614-814-815-817-818-823-925-1017-1215-1217-1223-1225-1317-1323-1328-1517-1523-1618-1623-1823 ATEGO	12 kg

## MITSUBISHI MO35S5 VACUUM POWER TAKE-OFF

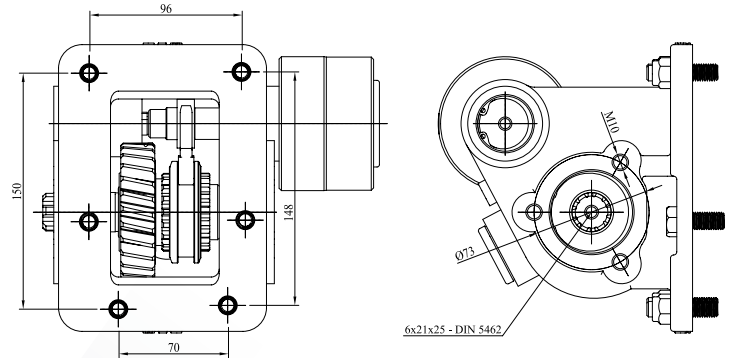
PTO MTS 01



PRODUCT TYPE	PRODUCT CODE	TORK	POWER	RATIO	ROTATION	MOUNTING TYPE	CONTROL TYPE	TOOLS USED İN	WEIGHT
PTO MTS 01	24581001	24,2 kgm	8,7 kw	1/1	RIGHT	LEFT SIDE	VACUUM	FE649-659-FE859E MITSUBISHI(722)/FE150C1-150E1-FE150E2 CANTER2.0T/WIDE CAB FG145C14x4 CANTER2.5-FE150W1 3.5T 150G1 4T-150G2 4.5T	7 kg

## MITSUBISHI M1S5 VACUUM POWER TAKE-OFF

PTO MTS 02

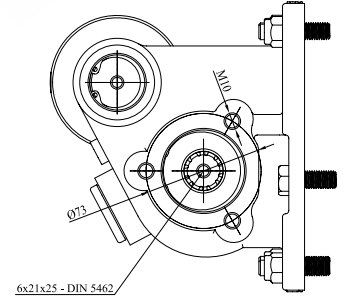
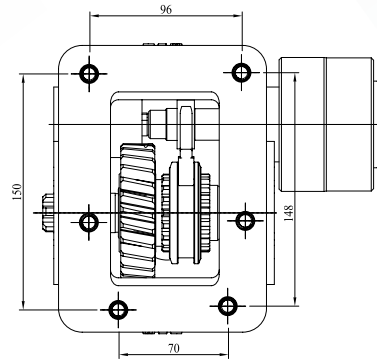


PRODUCT TYPE	PRODUCT CODE	TORK	POWER	RATIO	ROTATION	MOUNTING TYPE	CONTROL TYPE	TOOLS USED İN	WEIGHT
PTO MTS 02	24581002	18,2 kgm	7 kw	1/1	RIGHT	LEFT SIDE	VACUUM	444-449 CANTERMITSUBISHI(704)/H350/3F412/HD35-HD50-65-72-77 HYUNDAI	7 kg



## MITSUBISHI MO15S5 VACUUM POWER TAKE-OFF

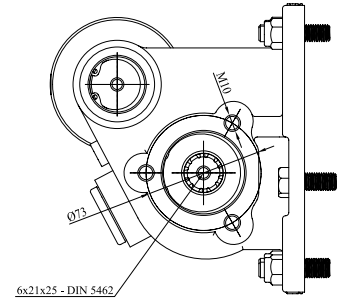
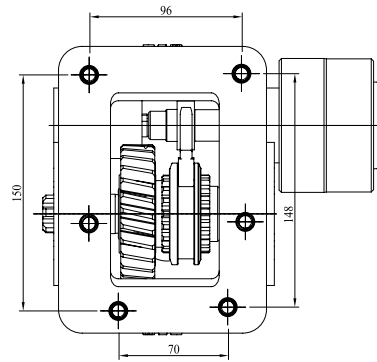
PTO MTS 03



PRODUCT TYPE	PRODUCT CODE	TORK	POWER	RATIO	ROTATION	MOUNTING TYPE	CONTROL TYPE	TOOLS USED IN	WEIGHT
PTO MTS 03	24581003	24 kgm	8,7 kw	1/1	RIGHT	LEFT SIDE	VACUUM	FE 511-711 MITSUBISHI	7 kg

## MITSUBISHI MO25S5 VACUUM POWER TAKE-OFF

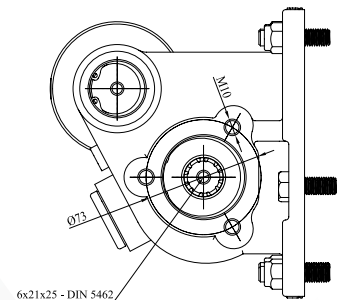
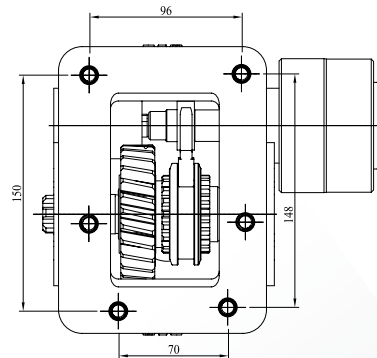
PTO MTS 04



PRODUCT TYPE	PRODUCT CODE	TORK	POWER	RATIO	ROTATION	MOUNTING TYPE	CONTROL TYPE	TOOLS USED IN	WEIGHT
PTO MTS 04	24581004	21,1 kgm	7,6 kw	1/1	RIGHT	LEFT SIDE	VACUUM	635FE-515FE-519FE-FE534-FE544-FB634-FE639C-839-859G - MITSUBISHI(739) FE130C1 CANTER2.0 SUPER LOW	7 kg

## MITSUBISHI MO26S5 VACUUM POWER TAKE-OFF

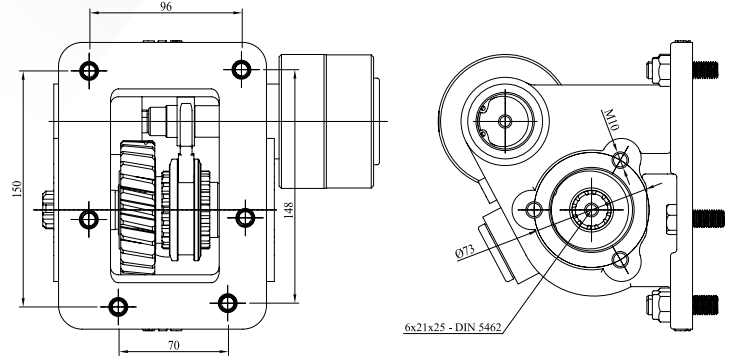
PTO MTS 05



PRODUCT TYPE	PRODUCT CODE	TORK	POWER	RATIO	ROTATION	MOUNTING TYPE	CONTROL TYPE	TOOLS USED IN	WEIGHT
PTO MTS 05	24581005	21 kgm	7,5 kw	1/1	RIGHT	LEFT SIDE	VACUUM	FE730-FE839EUR04 FE71BB/FE73BE/FE83BC	10 kg

## MITSUBISHI MO36S6 VACUUM POWER TAKE-OFF

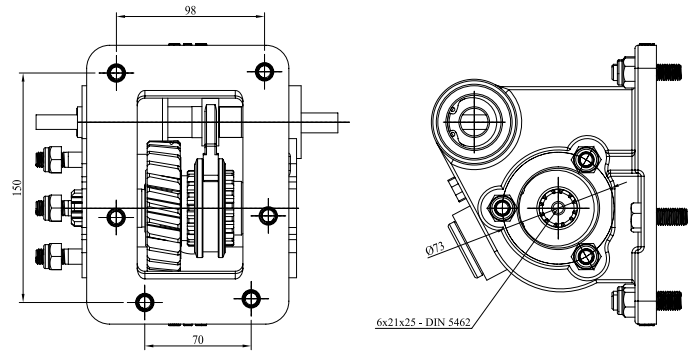
PTO MTS 06



PRODUCT TYPE	PRODUCT CODE	TORK	POWER	RATIO	ROTATION	MOUNTING TYPE	CONTROL TYPE	TOOLS USED İN	WEIGHT
PTO MTS 06	24581006	24 kgm	8,5 kw	1/1	RIGHT	LEFT SIDE	VACUUM	FE859G EURO4 FE85BE/FE85BG	10 kg

## MITSUBISHI MO38S5 MK POWER TAKE-OFF

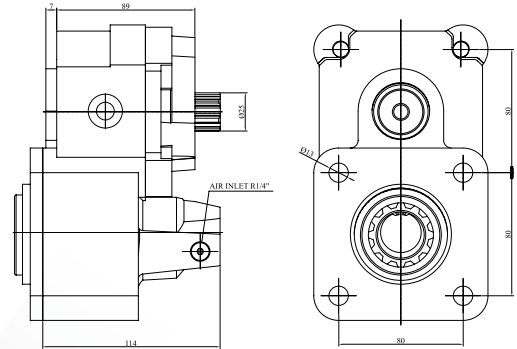
PTO MTS 07



PRODUCT TYPE	PRODUCT CODE	TORK	POWER	RATIO	ROTATION	MOUNTING TYPE	CONTROL TYPE	TOOLS USED İN	WEIGHT
PTO MTS 07	24581007	15 kgm	7,5 kw	1/1	RIGHT	LEFT SIDE	MECHANIC	MITSUBISHI	8,5 kg

## ZF POWER TAKE-OFF

PTO ZF 01



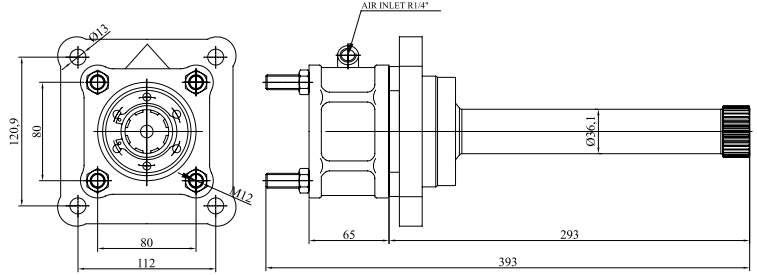
PRODUCT TYPE	PRODUCT CODE	TORK	POWER	RATIO	ROTATION	MOUNTING TYPE	CONTROL TYPE	TOOLS USED İN	WEIGHT
PTO ZF 01	24521001	26,5 kgm	18,3 kw	1/1,16	LEFT	REAR	PNEUMATIC	MAN / MERCEDES /BMC PROFESYONEL / FORD CARGO / CHRYSLER HINO / DODGE / FARGO / IVECO / DAF / DAEWOO / RENAULT	8,5 kg





## RENAULT PREMIUM POWER TAKE-OFF

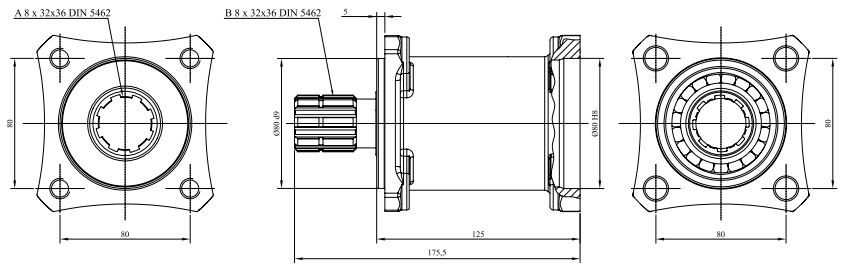
PTO REN 02



PRODUCT TYPE	PRODUCT CODE	TORK	POWER	RATIO	ROTATION	MOUNTING TYPE	CONTROL TYPE	TOOLS USED IN	WEIGHT
PTO REN 02	24591004	57 kgm	25,7 kw	1/1	RIGHT	REAR	PNEUMATIC	RENAULT PREMIUM OPTIDRIVER 430DXI-440DXI	8,2 kg

## ISO PUMP ADAPTER

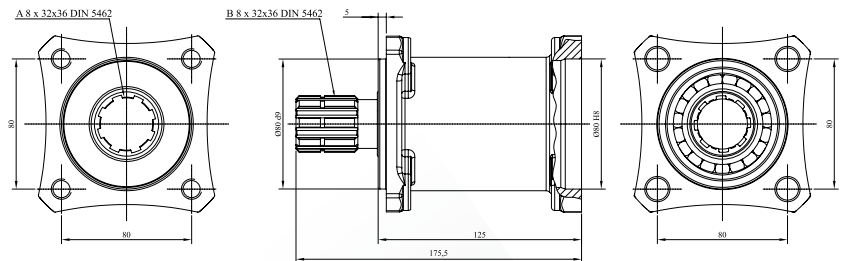
IPA 01 / IPA 02



PRODUCT TYPE	PRODUCT CODE	PRODUCT NAME
IPA 01	24481002	ISO Pump Adapter Without Bearing
IPA 02	24481005	ISO Pump Adapter With Bearing

## ISO PUMP ADAPTER WITHOUT BEARING SHORT

IPA 03

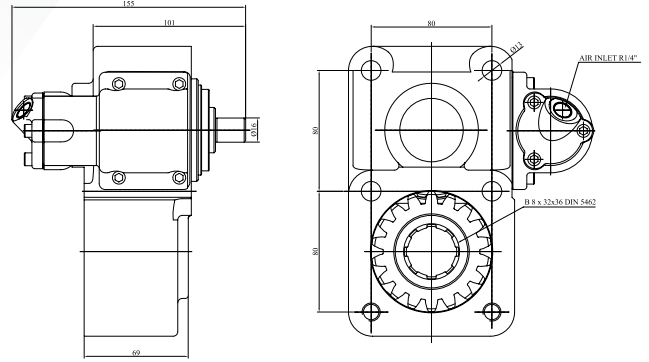


PRODUCT TYPE	PRODUCT CODE	PRODUCT NAME
IPA 03	24481006	ISO Pump Adapter With Bearing Short



## ZF POWER TAKE-OFF

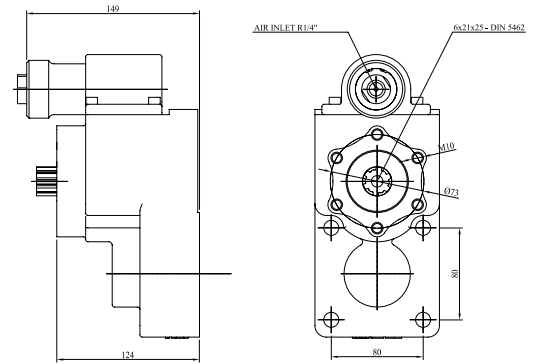
### PTO ZF 02



PRODUCT TYPE	PRODUCT CODE	TORK	POWER	RATIO	ROTATION	MOUNTING TYPE	CONTROL TYPE	TOOLS USED IN	WEIGHT
PTO ZF 02	24521002	26,5 kgm	18,3 kw	1/1,2	LEFT	REAR	PNEUMATIC	MAN / MERCEDES /BMC PROFESYONEL / FORD CARGO / CHRYSLER HINO / DODGE / FARGO / IVECO / DAF / DAEWOO / RENAULT	9 kg

## ZF 6S 850 POWER TAKE-OFF

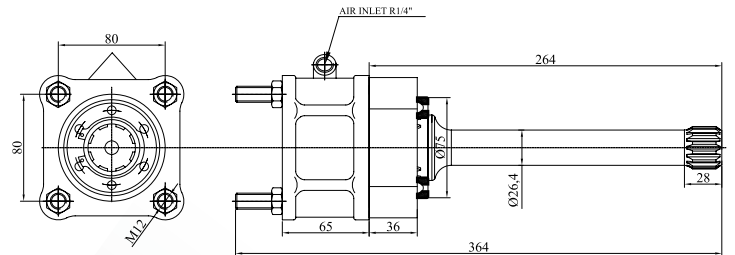
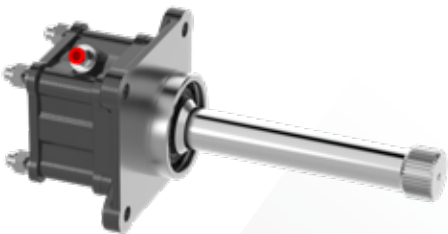
### PTO ZF 05



PRODUCT TYPE	PRODUCT CODE	TORK	POWER	RATIO	ROTATION	MOUNTING TYPE	CONTROL TYPE	TOOLS USED IN	WEIGHT
PTO ZF 05	24521005	26,7 kgm	26,7 kw	1/1,2	LEFT	REAR	PNEUMATIC	8.163-10-185-L160C-LE12.160-12.163-12.185-LE18.220-18.225-18.230-18.240 MAN/518-522 PRO/DAEWOO AVIA (CEK CUM.)/180.18-180.25-280.25-280.26 FATİH BMC/LF55-CF65-CF75-DAF/ASHOK LEYLAND/815 ATEGO-28.280 MAN-TGL8.180-12.180	13 kg

## MAN POWER TAKE-OFF

### MN PTO 01

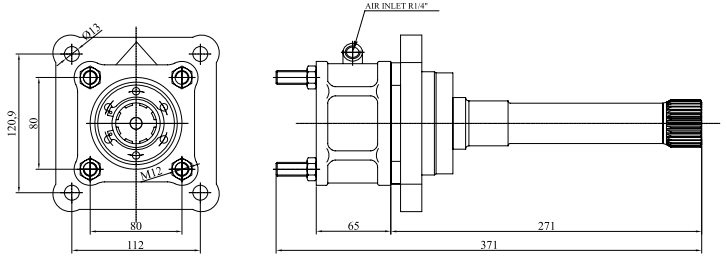


PRODUCT TYPE	PRODUCT CODE	TORK	POWER	RATIO	ROTATION	MOUNTING TYPE	CONTROL TYPE	TOOLS USED IN	WEIGHT
MN PTO 01	24271001	57 kgm	25,7 kw	1/1	RIGHT	REAR	PNEUMATIC	14.463-39.900 MAN TGA-TGA18.460A-19.430 MAN EUROPE 6x4-3300 DAF-85.330 DAF-RENAULT PREMIUM 440 DXI-IVECO 480 STRALIS	6 kg



## VOLVO SR 1700 SHORT CARDAN SHAFT POWER TAKE-OFF

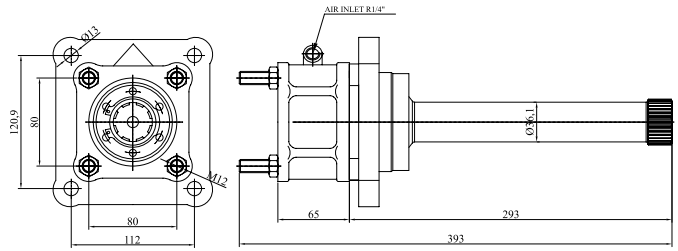
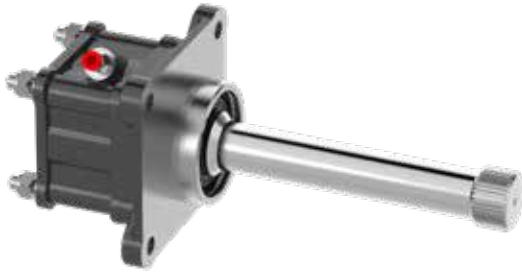
VLV PTO 01



PRODUCT TYPE	PRODUCT CODE	TORK	POWER	RATIO	ROTATION	MOUNTING TYPE	CONTROL TYPE	TOOLS USED IN	WEIGHT
VLV PTO 01	24261001	57 kgm	25,7 kw	1/1	RIGHT	REAR	PNEUMATIC	FL10320-NL12-FH16520-FH12420-FM12-FH12-FH16-FM-FM10-FM12 VOLVO-FL616-FL7-F10-FL10-F12-F16-N10-N12-NL12	8 kg

## VOLVO SR 1700 LONG CARDAN SHAFT POWER TAKE-OFF

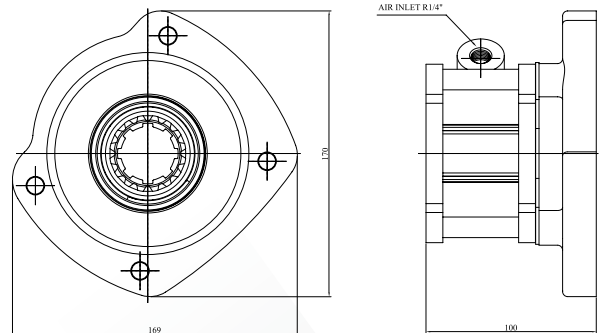
VLV PTO 02



PRODUCT TYPE	PRODUCT CODE	TORK	POWER	RATIO	ROTATION	MOUNTING TYPE	CONTROL TYPE	TOOLS USED IN	WEIGHT
VLV PTO 02	24261002	57 kgm	25,7 kw	1/1	RIGHT	REAR	PNEUMATIC	FL10320-NL12-FH16520-FH12420-FM12-FH12-FH16-FM-FM10-FM12 VOLVO-FL616-FL7-F10-FL10-F12-F16-N10-N12-NL12	8,2 kg

## VOLVO POWER TAKE-OFF

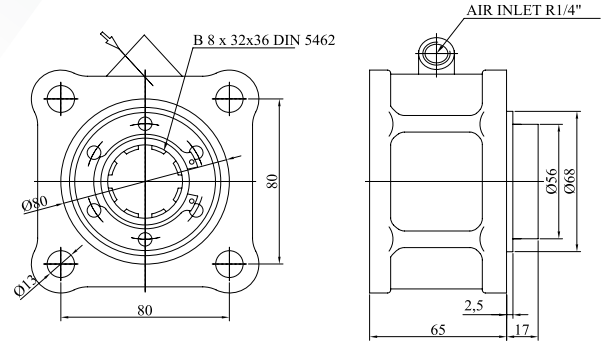
VLV PTO 03



PRODUCT TYPE	PRODUCT CODE	TORK	POWER	RATIO	ROTATION	MOUNTING TYPE	CONTROL TYPE	TOOLS USED IN	WEIGHT
VLV PTO 03	24261003	57 kgm	25,7 kw	1/1	RIGHT	REAR	PNEUMATIC	F 7-F / 12-88-F89-F 1020-F 1225-N 10-N 12 VOLVO	4,5 kg

## ZF POWER TAKE-OFF

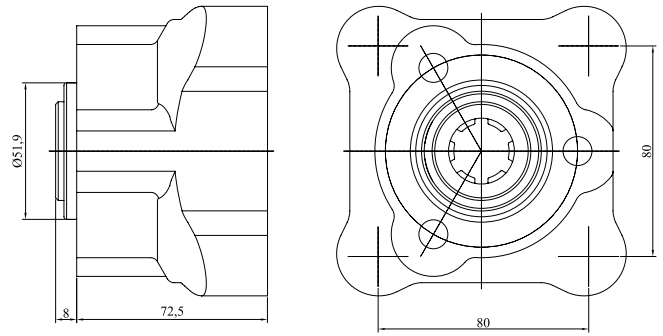
ZF PTO 01



PRODUCT TYPE	PRODUCT CODE	TORK	POWER	RATIO	ROTATION	MOUNTING TYPE	CONTROL TYPE	TOOLS USED IN	WEIGHT
ZF PTO 01	24251001	57 kgm	25,7 kw	1/1	RIGHT	REAR	PNEUMATIC	MAN / MERCEDES /BMC PROFESYONEL / FORD CARGO /CHRYSLER HINO / DODGE / FARGO / IVECO / DAF / DAEWOO / RENAULT	2,5 kg

## PISTON PUMP ADAPTER

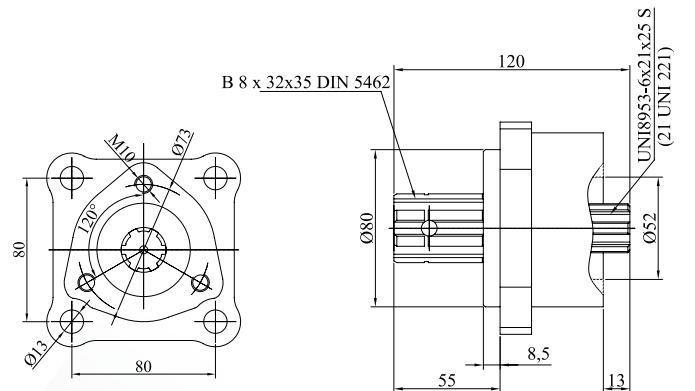
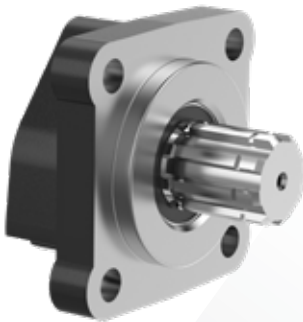
PPA 01



PRODUCT TYPE	PRODUCT CODE	PRODUCT NAME
PPA 01	24481003	Piston Pump Adapter

## GEAR PUMP ADAPTER

DPA 01

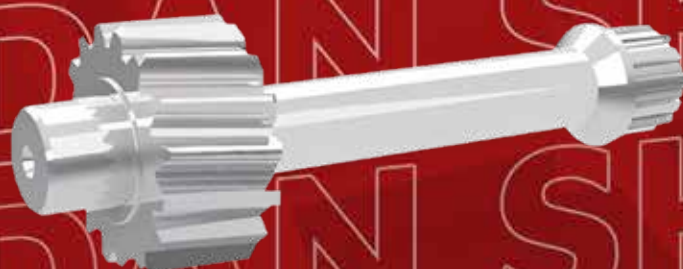


PRODUCT TYPE	PRODUCT CODE	PRODUCT NAME
DPA 01	24481001	Gear Pump Adapter



# CARDAN SHAFT

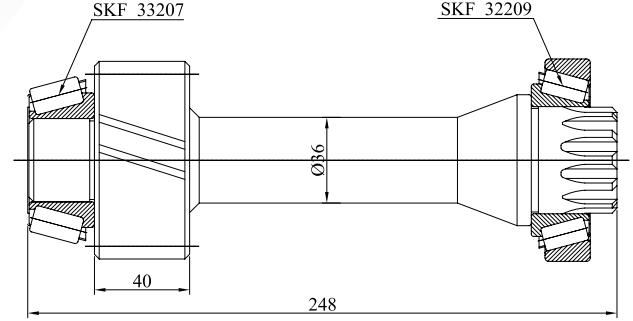
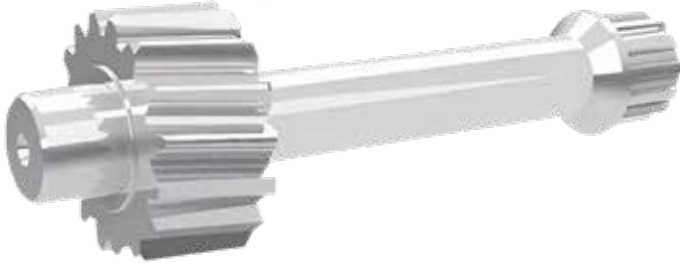
## *Section*



**Hydraulic**

## CARDAN SHAFT ZF 9 S 75

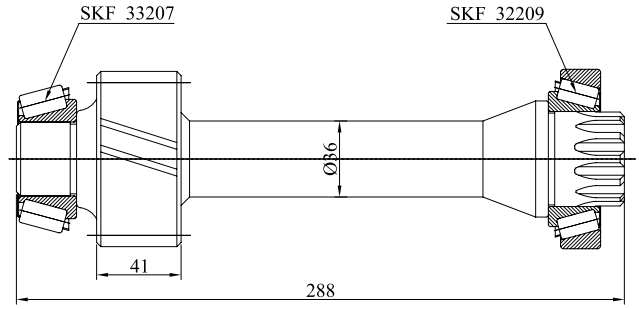
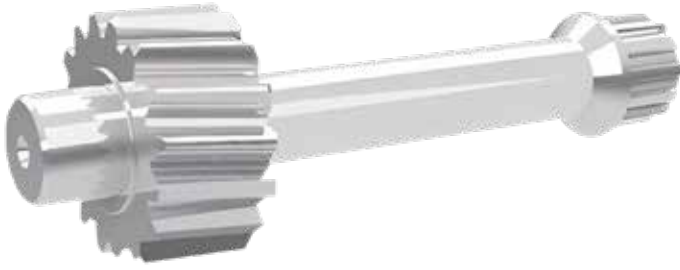
CS 01



PRODUCT TYPE	PRODUCT CODE	TOOLS USED İN
CS 01	24301001	MERCEDES ( 2521, 2524, 3224) BMC PRO (617, 620, 622, 822) FORD CARGO (1824, 2524, 2524D) FARGO (19-260, 26-260, 26-265, 32-260) DAF (823, 923)

## CARDAN SHAFT ZF 9 S 109

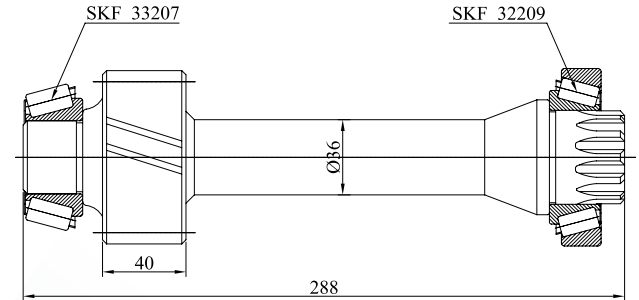
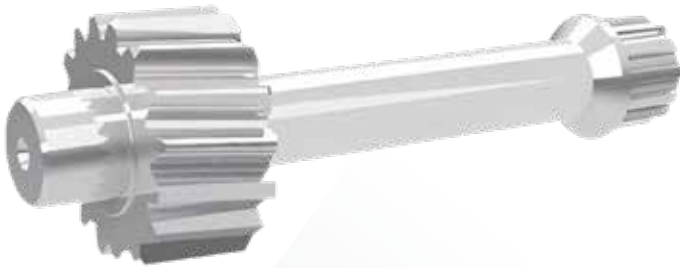
CS 02



PRODUCT TYPE	PRODUCT CODE	TOOLS USED İN
CS 02	24301002	MAN (17 232, 18 220, 19 230, 19 270, 19 340, 19 360, 25 270, 26 230, 26 342, 26 270, 32 270) BMC (PRO 827, PRO 832, 270, 280, S18, S21, S24, S29, S31, STEYR 270) FATİH (270 26) FORD CARGO 1827, 2527, 2530, 2626, 3226, 3227C, 3240, 4030, 4050 DAF (75 270, 75 30) RENAULT (320 32, 370 PREMIUM AS)

## CARDAN SHAFT ZF 16 S 109

CS 03



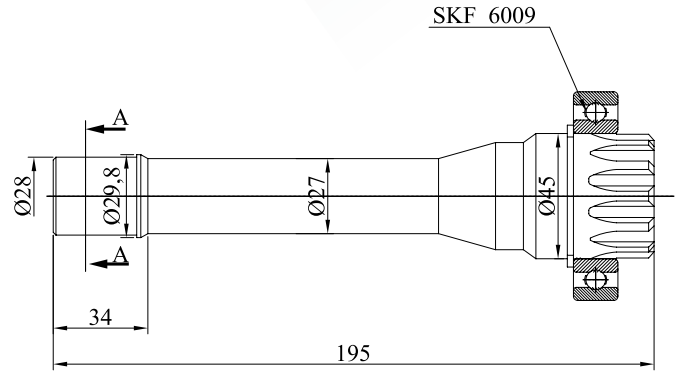
PRODUCT TYPE	PRODUCT CODE	TOOLS USED İN
CS 03	24301003	MAN 17 232, 18 220, 19 230, 19 270, 19 340, 19 360, 25 270, 26 230, 26 342, 26 270, 32 270 BMC PRO 827, PRO 832, 270, 280, S18, S21, S24, S29, S31, STEYR 270 FATİH 270 26 FORD CARGO 1827, 2527, 2530, 2626, 3226, 3227C, 3240, 4030, 4050 DAF 75 270, 75 30 RENAULT 320 32, 370 PREMIUM AS





## CARDAN SHAFT ZF 16 S 130

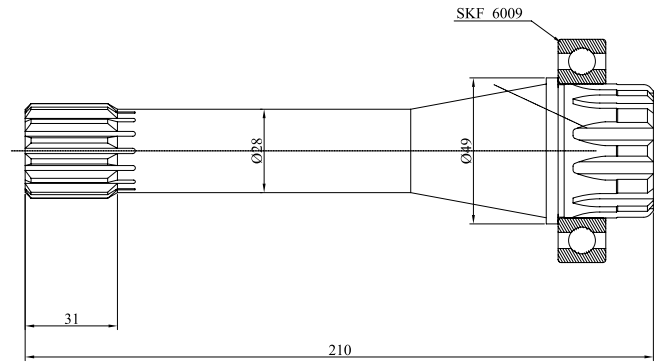
CS 04



PRODUCT TYPE	PRODUCT CODE	TOOLS USED IN
CS 04	24301004	MERCEDES1935, 2228, 2433, 2624, 2628, 2633, 3828, 4028 MAN16 281, 19 280, 19 422, 25 372, 26 281, 26 231, 32 281, 32 365, 33 281, 19 422

## CARDAN SHAFT ZF 16 S 210 - 151 MM

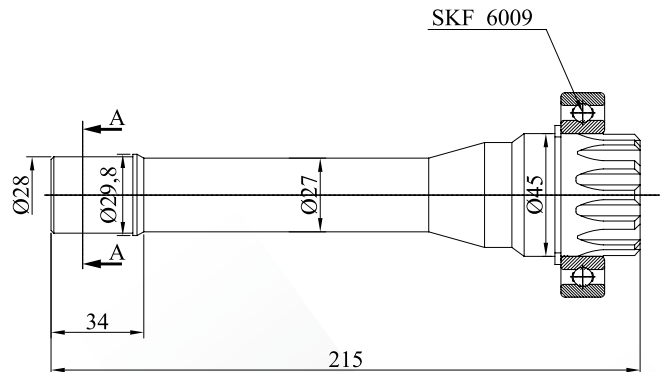
CS 05



PRODUCT TYPE	PRODUCT CODE	TOOLS USED IN
CS 05	24301005	17.322,19.422,423,426/26310,372,373,422/32.310,33.372,33.423,40.423,40.463,41.423 MAN/STRALIS 430/FE 420A/FE19.420/14.463 MAN/75.310,85.360,85.330,85.400,95.500 DAF/RENAULT PREMIUM 370.32,400,420,440,480 RENAULT KERAX/85CF.340,95XF.380,95XF.430,95XF.480 DAF/400E38 IVECO/ASTRA 1142 BMC/410E37 IVECO

## CARDAN SHAFT ZF. 16 S 160

CS 06

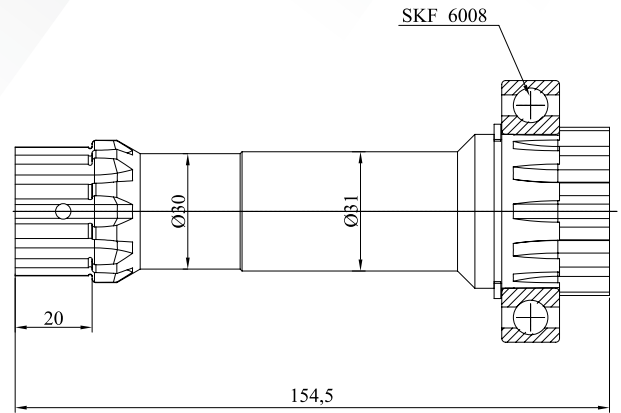


PRODUCT TYPE	PRODUCT CODE	TOOLS USED IN
CS 06	24301006	MERCEDES1935, 2228, 2433, 2624, 2628, 2633, 3828, 4028 MAN16 281, 19 280, 19 422, 25 372, 26 281, 26 231, 32 281, 32 365, 33 281, 19 422



## CARDAN SHAFT EATON 6109

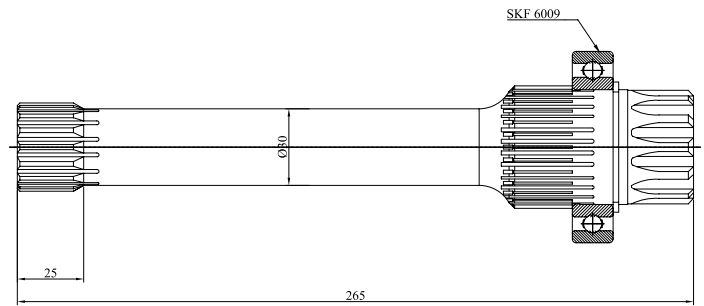
CS 07



PRODUCT TYPE	PRODUCT CODE	TOOLS USED IN
CS 07	24301007	BMC 214 26, 220 26 FORD CARGO26 21

## ACTROS CARDAN SHAFT- 265 MM

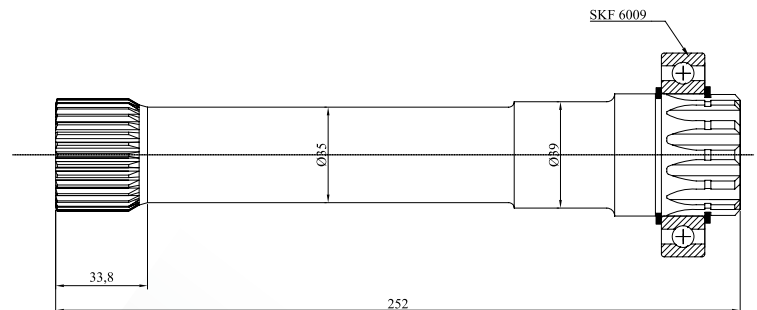
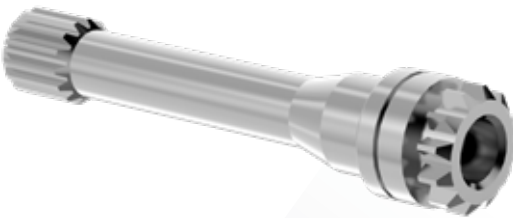
CS 08



PRODUCT TYPE	PRODUCT CODE	TOOLS USED IN
CS 08	24301008	1528-1823-1828-1924-2523-2528-2623-2628-2832-3224-3228-AXOR 1223-1323-1328-1523-1828-2528-2628 ATEGO

## VOLVO CARDAN SHAFT- 252 MM

CS 09

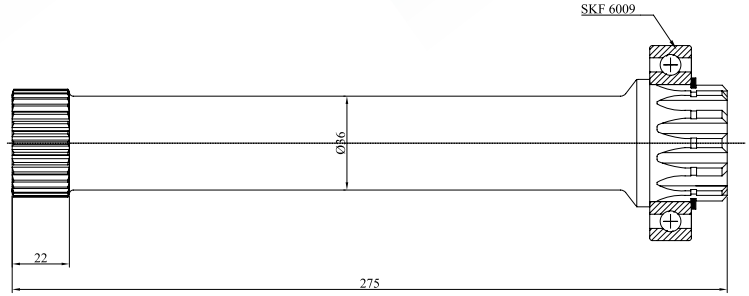


PRODUCT TYPE	PRODUCT CODE	TOOLS USED IN
CS 09	24301009	FL10320-NL12-FH16520-FH12420-FM12-FH12-FH16-FM-FM10-FM12 VOLVO-FL616-FL7-F10-FL10-F12-F16-N10-N12-NL12



## VOLVO CARDAN SHAFT- 275 MM

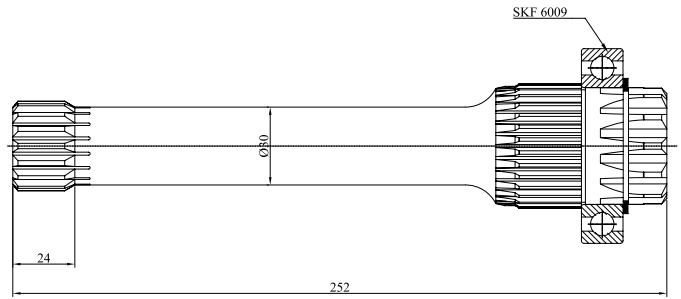
CS 10



PRODUCT TYPE	PRODUCT CODE	TOOLS USED IN
CS 10	24301010	FL10320-NL12-FH16520-FH12420-FM12-FH12-FH16-FM-FM10-FM12 VOLVO-FL616-FL7-F10-FL10-F12-F16-N10-N12-NL12

## ACTROS CARDAN SHAFT- 252 MM

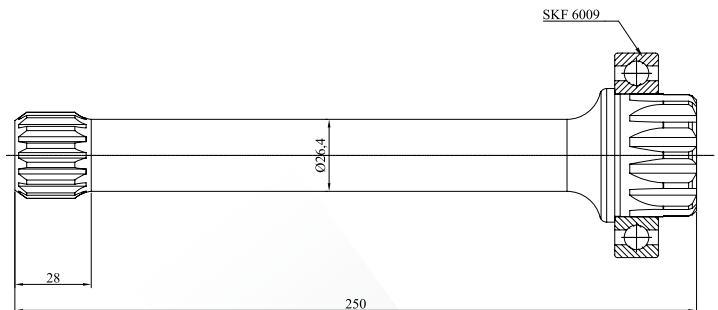
CS 11



PRODUCT TYPE	PRODUCT CODE	TOOLS USED IN
CS 11	24301011	1729-1735-1827-1834-1838-1929-1935-2038-2429-2435-2527-2531-2534-2629-2631-2635-2638-3229-3234-3534-3535-1831-1835-1840-1844-1848-1850-1857-1934-1938-1953-2044-2050-2544-2550-2643-2644-2650-3031-3234-3331-3348-4148-3335-3336-3235-3340-2031-2040-2648-3548-3553-3557-3538-ACTROS MERCEDES

## MAN CARDAN SHAFT 250- MM

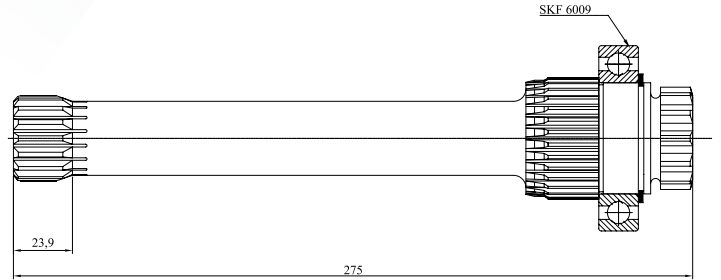
CS 12



PRODUCT TYPE	PRODUCT CODE	TOOLS USED IN
CS 12	24301012	14,463-39.900 MAN TGA-TGA18.460A-19.430 MAN EUROPE 6x4-3300 DAF-85.330 DAF-RENAULT PREMIUM 440 DXI-IVECO 480 STRALIS

## ACTROS CARDAN SHAFT- 275 MM

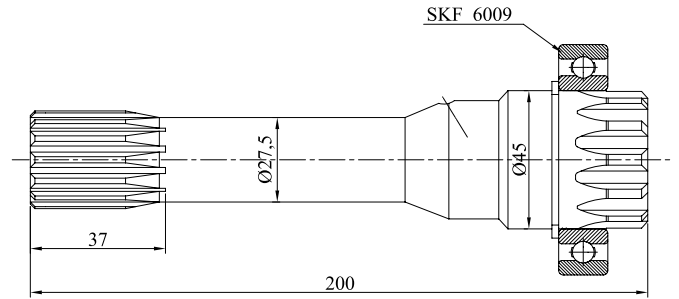
CS13



PRODUCT TYPE	PRODUCT CODE	TOOLS USED IN
CS 13	24301013	1729-1735-1827-1834-1838-1929-1935-2038-2429-2435-2527-2531-2534-2629-2631-2635-2638-3229-3234-3534-3535-1831-1835-1840-1844-1848-1850-1857-1934-1938-1953-2044-2050-2544-2550-2643-2644-2650-3031-3234-3331-3348-4148-3335-3336-3235-3340-2031-2040-2648-3548-3553-3557-3538-ACTROS MERCEDES

## CARDAN SHAFT ZF 16 S 200 - 251 MM

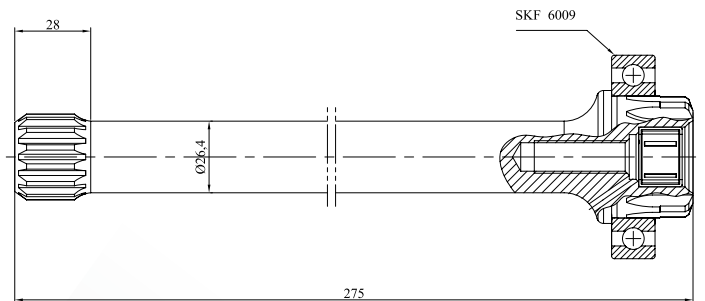
CS 14



PRODUCT TYPE	PRODUCT CODE	TOOLS USED IN
CS 14	24301014	17.322,19.422,423,426/26310,372,373,422/32.310,33.372,33.423,40.423,40.463,41.423 MAN/STRALIS 430/FE 420A/FE19.420/14.463 MAN/75.310,85.360,85.330,85.400,95.500 DAF/RENAULT PREMIUM 370.32,400,420,440,480 RENAULT KERAX/85CF.340,95XF.380,95XF.430,95XF.480 DAF/400E38 IVECO/ASTRA 1142 BMC/410E37 IVECO

## MAN CARDAN SHAFT- 275 MM

CS 15



PRODUCT TYPE	PRODUCT CODE	TOOLS USED IN
CS 15	24301015	ZF ASTRONIC 16AS251/16S251+PLATE 12 AS 1631 /12AS1931 /12AS2131/12AS2141/12AS2300 IT/12AS2301 IT/ 12AS2331 /12AS2341/12AS2501 IT/12AS2531/12AS2541/12AS2741 /12AS2941/12AS3001 IT/12AS3002 IT/12AS3141/16AS2231/ 16AS2600 IT/16AS2601 IT/16AS2631 IT(INTARDER)



# HYDRAULIC OIL TANKS

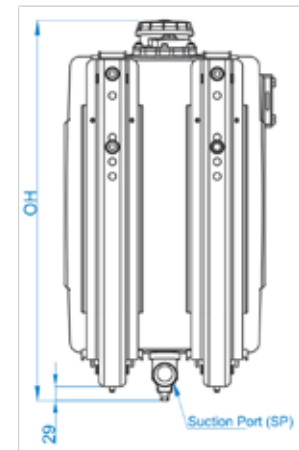
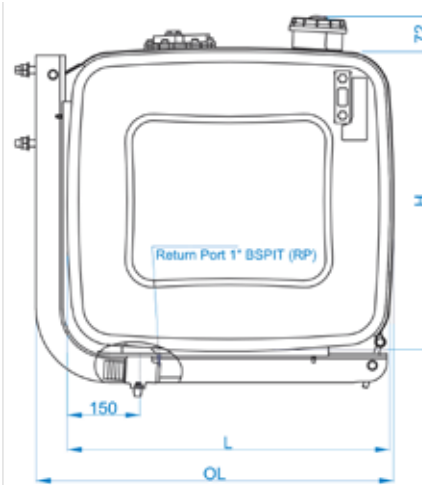
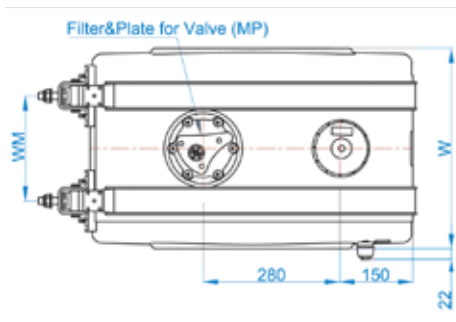
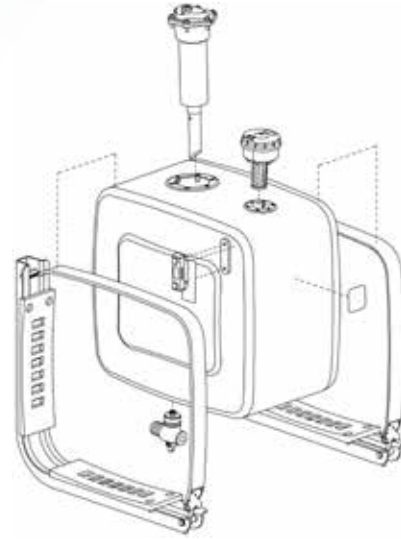
## *Section*



**Hydraulic**

## SIDE MOUNTED OIL TANKS

TNK 01

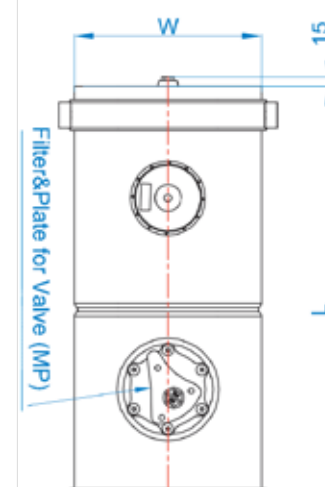
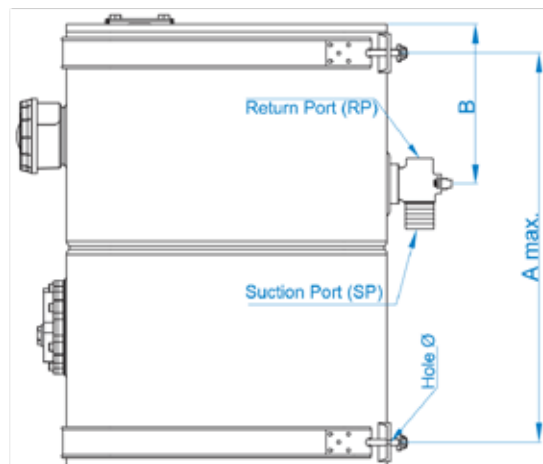
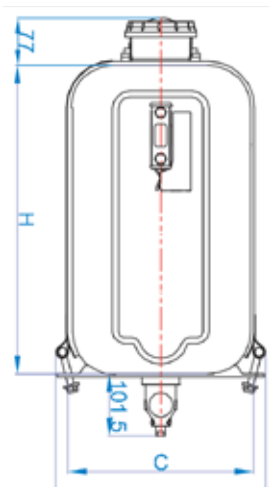
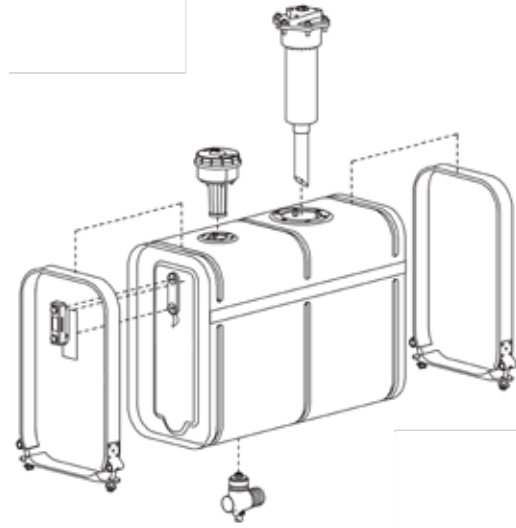


PRODUCT CODE	W (mm)	H (mm)	L (mm)	OL (mm)	OH (mm)	WM Min Max (mm)	GROSS VOLUME (lt)	WORKING VOLUME (lt)	WEIGHT (kg)
4823335108	380	554	646	717	717	205 - 230	124	108	50,5
4823335117	410	554	646	717	717	205 - 235	134	117	51,5
4823335131	410	610	662	734	778	215 - 240	148	131	56
4823335148	465	610	662	734	778	235 - 270	169	148	58
4823335163	510	610	662	734	778	255 - 315	186	164	60
4823335182	560	610	662	734	778	280 - 365	206	182	61,5
4823335197	610	610	662	734	778	305 - 415	224	197	63
4823335049	330	400	502	570	569	195 - 225	61	49	38,5
4823335060	400	400	502	570	569	20 - 230	74	60	40,5
4823335075	500	400	502	570	569	245 - 305	93	75	43



CRADLE MOUNTED OIL TANKS

TNK O2

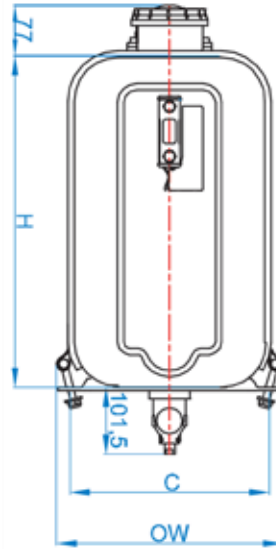
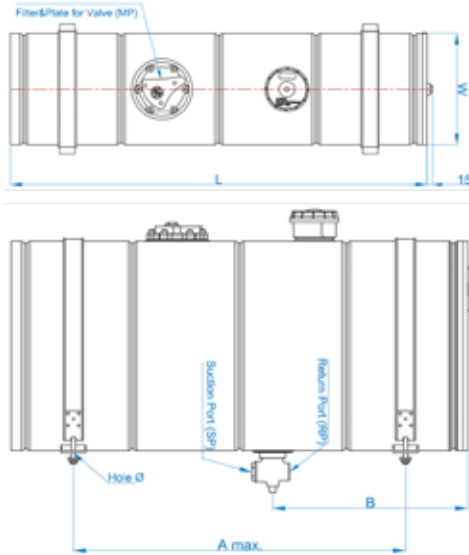
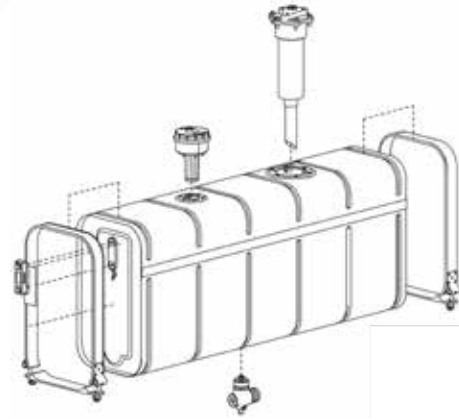


PRODUCT CODE	W (mm)	H (mm)	L (mm)	A max (mm)	B (mm)	C (mm)	OW (mm)	HOLE Ø (mm)	GROSS VOLUME (lt)	WORKING VOLUME (lt)	WEIGHT (kg)
483335035	251	511	400	340	200	270	300	11	42	34	21
483335045	251	511	500	410	250	270	300	11	50	44	22,8
483335055	251	511	600	510	200	270	300	11	66	54	25
483335064	251	511	700	610	250	270	300	11	78	64	27,4
483335052	294	504	500	410	250	303	343	12	63	51	24,2
483335063	294	504	600	510	200	303	343	12	77	63	26,4
483335075	294	504	700	610	250	303	343	12	92	74	29
483335080	294	504	750	660	250	303	343	12	99	80	30,2
483335090	264	654	700	610	350	270	312	11	106	90	33,3
483335097	264	654	750	660	375	270	312	11	114	97	34,2
483335093	294	694	600	510	300	303	348	13	108	93	36,5
483335114	294	694	700	610	350	303	348	13	128	110	39,3



## REAR MOUNTED OIL TANKS

TNK 03

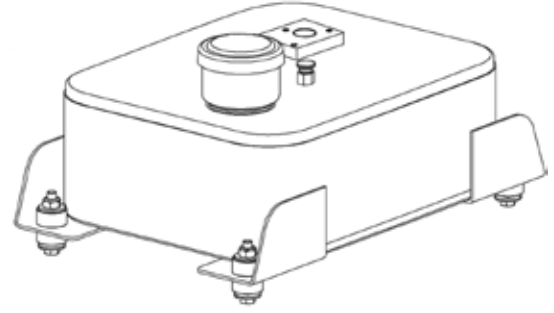


PRODUCT CODE	W (mm)	H (mm)	L (mm)	A max (mm)	B (mm)	C (mm)	OW (mm)	HOLE Ø (mm)	GROSS VOLUME (lt)	WORKING VOLUME (lt)	WEIGHT (kg)
483335094	251	511	1000	800	500	270	300	11	114	93	34
483335114	251	511	1200	800	440	270	300	11	139	113	38,6
483335123	251	511	1300	800	400	270	300	11	150	123	40,8
483335109	294	504	1000	800	500	303	343	12	134	108	36
483335124	294	504	1100	800	470	303	343	12	147	120	38,4
483335131	294	504	1200	800	600	303	343	12	162	131	40,8
483335149	294	504	1300	800	650	303	343	12	176	148	43,1
483335118	264	654	900	800	350	270	312	11	138	118	38,3
483335132	264	654	1000	800	375	270	312	11	154	132	41
483335160	264	654	1200	800	410	270	312	11	187	160	46,5
483335144	294	694	900	800	350	303	348	13	167	144	43,9
483335161	294	694	1000	800	375	303	348	13	186	161	51,1
483335195	294	694	1200	800	410	303	348	13	226	195	57,1
483335212	294	694	1300	800	650	303	348	13	245	212	60



## OVER CHASE OIL TANKS

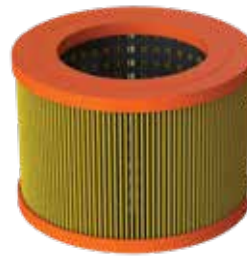
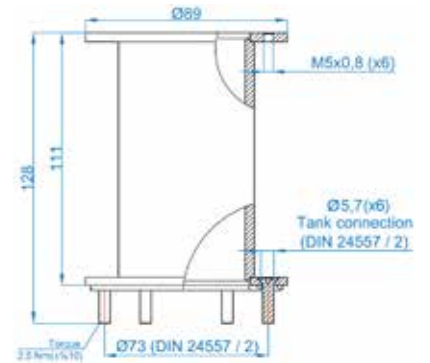
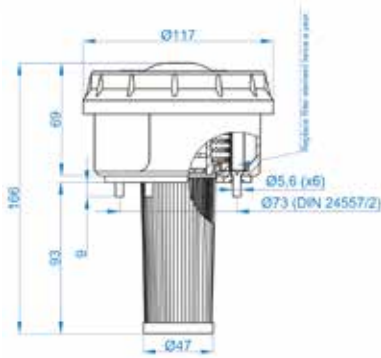
TNK 04



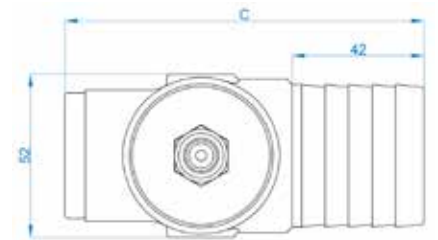
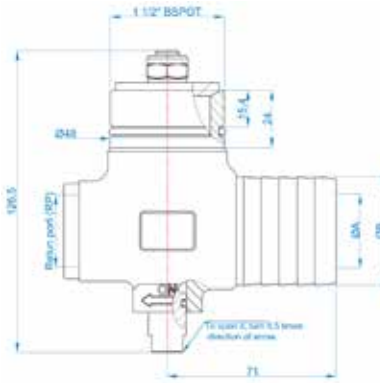
PRODUCT CODE	W (mm)	H (mm)	L (mm)	A max (mm)	B (mm)	C (mm)	OW (mm)	HOLE Ø (mm)	GROSS VOLUME (lt)	WORKING VOLUME (lt)	WEIGHT (kg)
4833335094	251	511	1000	800	500	270	300	11	114	93	34
4833335114	251	511	1200	800	440	270	300	11	139	113	38,6
4833335123	251	511	1300	800	400	270	300	11	150	123	40,8
4833335109	294	504	1000	800	500	303	343	12	134	108	36
4833335124	294	504	1100	800	470	303	343	12	147	120	38,4
4833335131	294	504	1200	800	600	303	343	12	162	131	40,8
4833335149	294	504	1300	800	650	303	343	12	176	148	43,1
4833335118	264	654	900	800	350	270	312	11	138	118	38,3
4833335132	264	654	1000	800	375	270	312	11	154	132	41
4833335160	264	654	1200	800	410	270	312	11	187	160	46,5
4833335144	294	694	900	800	350	303	348	13	167	144	43,9
4833335161	294	694	1000	800	375	303	348	13	186	161	51,1
4833335195	294	694	1200	800	410	303	348	13	226	195	57,1
4833335212	294	694	1300	800	650	303	348	13	245	212	60

## OIL TANKS UTILITIES

### TNK 05



PRODUCT CODE	PRODUCT NAME	FILTRATION DEGREE	AIR FLOW RATE	OIL FILLING CAPACITY	COMPATILITY	WORKING TEMP	SPLASH GUARD	WEIGHT (KG)
88510136	AIR BREATHER KIT	3 µm	1800 L/min.	Max.40 L/min.	Full Fluids	-25 / +110 °C	Available	0,29
88001188	FILTER ELEMENT	-	-	-	-	-	-	0,1
88001259	EXTENSION PIPE KIT	-	-	-	-	-	-	0,82



PRODUCT CODE	A (mm)	B (mm)	C (mm)	RP	COATING	WEIGHT (kg)
88001153	31	45	111	-	ZINC Cr+3	1,1
88001149	31	39	111	-	ZINC Cr+3	1
88001152	25	32	111	-	ZINC Cr+3	1
88001156	31	45	115	R 1"	ZINC Cr+3	1,2
88001155	31	39	115	R 1"	ZINC Cr+3	1,1
88001154	25	32	115	R 1"	ZINC Cr+3	1,1



# HYDRAULIC JOYSTICK

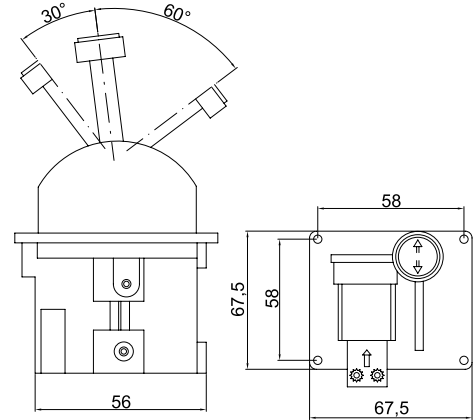
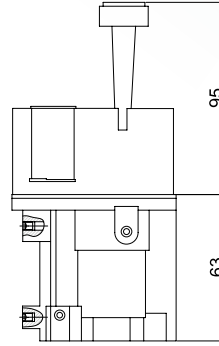
## *Section*



**Hydraulic**

## JOYSTICK

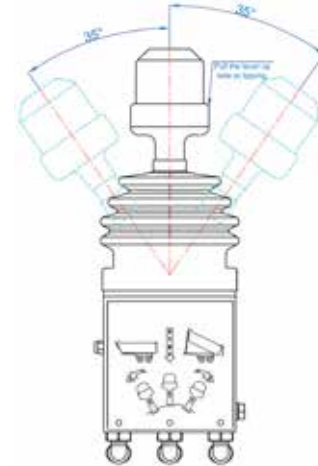
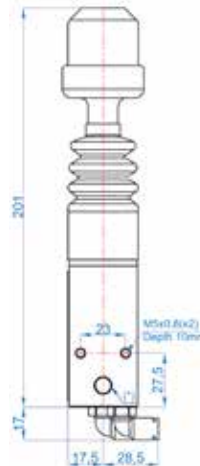
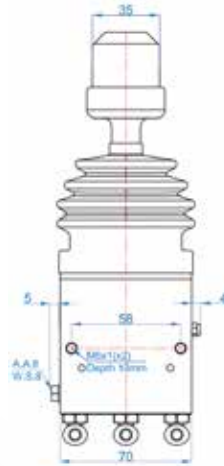
HDJ 01



PRODUCT TYPE	PRODUCT CODE	PRODUCT NAME
HDJ 01	23602004	3 WAY / 2 SECTION TIP JOYSTICK
HDJ 02	23602005	2 WAY / 2 SECTION TIP JOYSTICK
HDJ 03	23602006	3 WAY / 2 SECTION TIP JOYSTICK
HDJ 04	23602007	2 WAY / 2 SECTION FLAT TIP JOYSTICK
HDJ 05	23602008	3 WAY / 2 SECTION FLAT TIP JOYSTICK MANUEL

## PROPORTIONAL AIR CONTROL JOYSTICK

HDJ 06



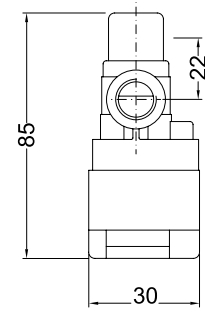
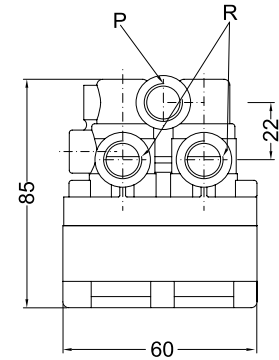
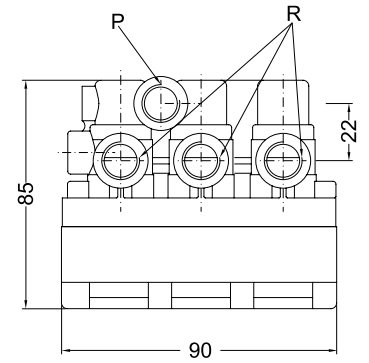
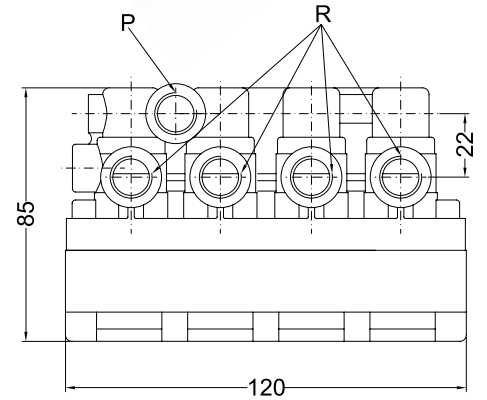
PRODUCT TYPE	PRODUCT CODE	MAX. AIR PRESSURE	MIN. AIR PRESSURE	WORKING TEMP.	CONNECTION	WEIGHT (KG)
HDJ 06	23602009	10 bar	5 bar	-20 / +80 °C	Air Pipe	0,8





4 , 3 , 2 & 1 WAY SWITCH

HDD 01 , 02 , 03 , 04



PRODUCT TYPE	PRODUCT CODE	PRODUCT NAME
HDD 01	23602001	4 WAY SWITCH
HDD 02	23602002	3 WAY SWITCH
HDD 03	23602003	2 WAY SWITCH
HDD 04	23602004	1 WAY SWITCH



# HYDRAULIC ACCESSORY

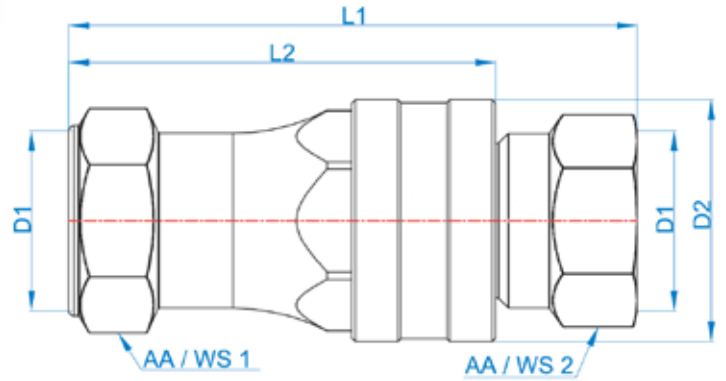
## *Section*



**Hydraulic**

**QUICK RELEASE COUPLINGS (PUSH-PULL)**

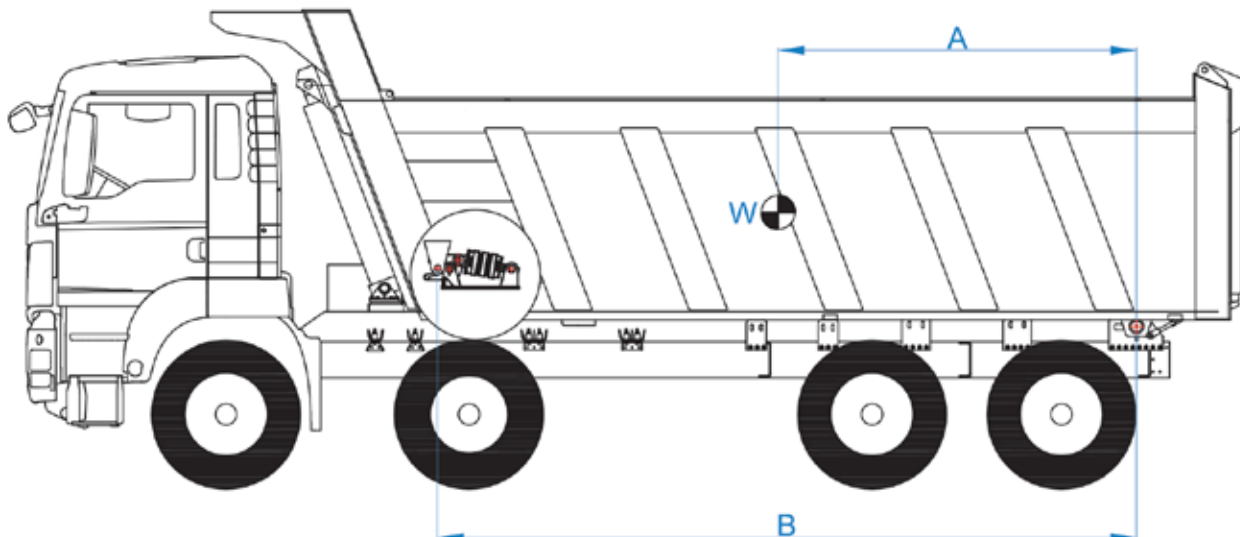
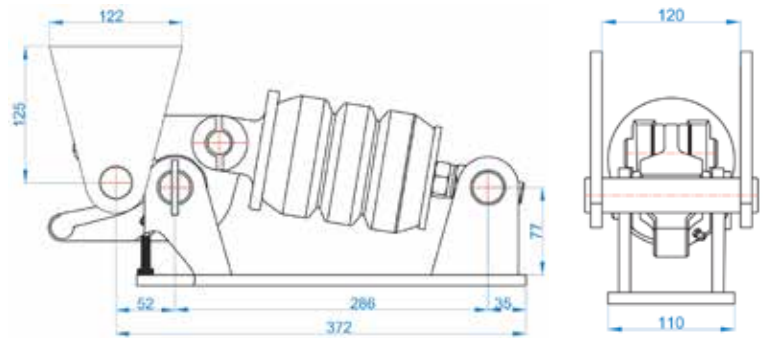
ACS 01



PRODUCT CODE	D1 (")	D2 (mm)	L1 (mm)	L2 (mm)	AA WS1 (mm)	AA WS2 (mm)	COMPATILITY	FLOW	WORKING PRESSURE	CONNECTION	WORKING TEMP.	COATING	WEIGHT (kg)
88002308	1"	56	133	100	46	41	ISO 7241-A	180 L/min	250 bar	Push - Pull	-30 / +80 °C	ZINC Cr+3	1,15
88002381	1"	56	133	100	46	41	ISO 7241-A	180 L/min	250 bar	Push - Pull	-30 / +80 °C	ZINC Cr+3	1,2
88002309	1 1/4"	70	150	117	55	50	ISO 7241-A	230 L/min	230 bar	Push - Pull	-30 / +80 °C	ZINC Cr+3	1,75

**BODYFIX**

ACS 02





The  
**Power**  
in your hands



**PZD**  
**Hydraulic**



AUTOMOTIVE

PZD Hydraulic  
It is a trademark of  
**KYZ AUTOMOTIVE COMPANY**

### Contact Information

+90 332 251 41 39

+90 541 481 01 44

[www.kyzautomotive.com.tr](http://www.kyzautomotive.com.tr)

[info@kyzautomotive.com.tr](mailto:info@kyzautomotive.com.tr)

Horozluhan Mah. Şadi Sk. No:3/101 - Selçuklu/KONYA/TÜRKİYE

